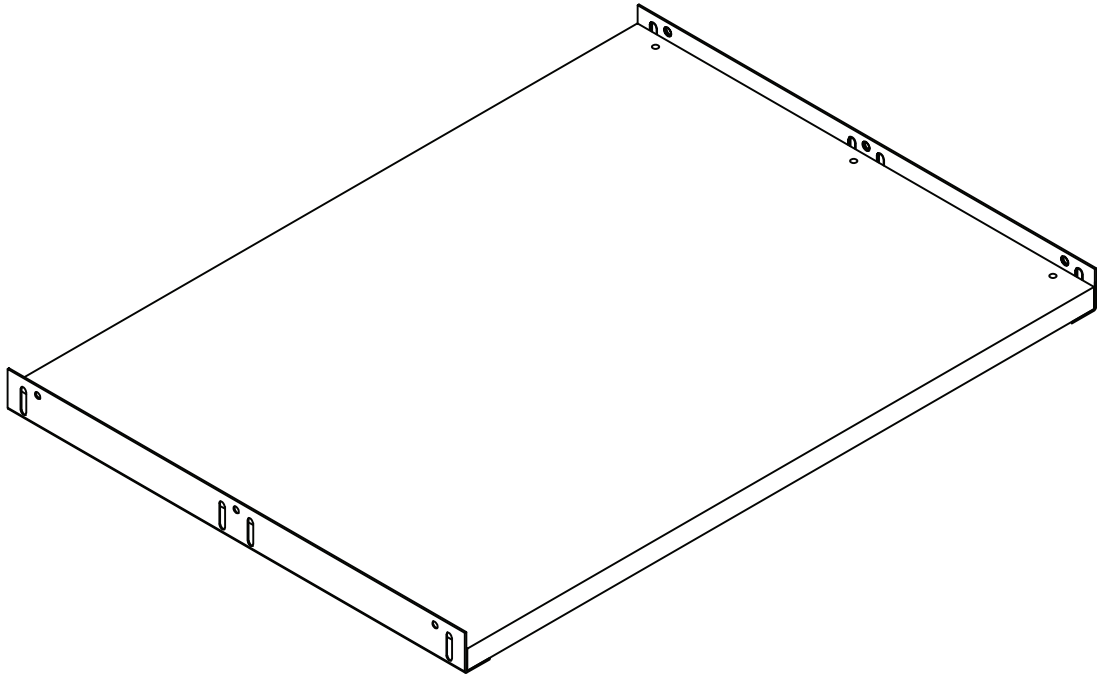
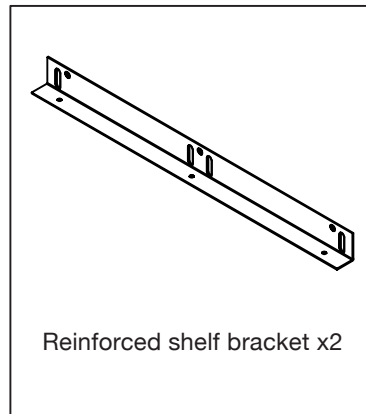
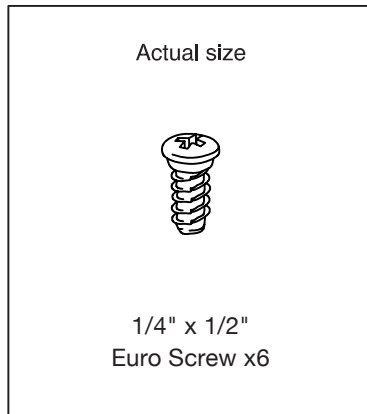
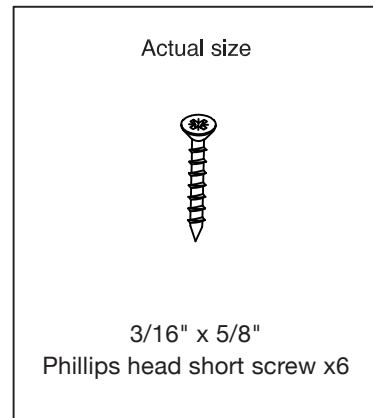
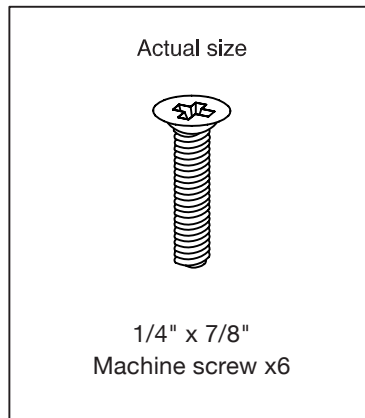
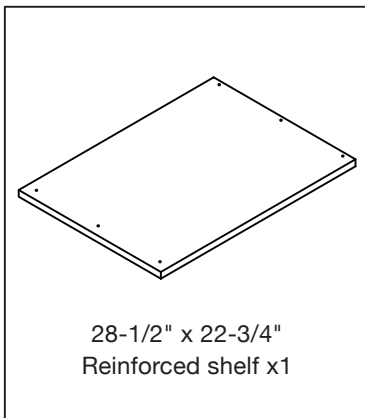


REINFORCED SHELF

Instructions for 478-3532



INCLUDES:

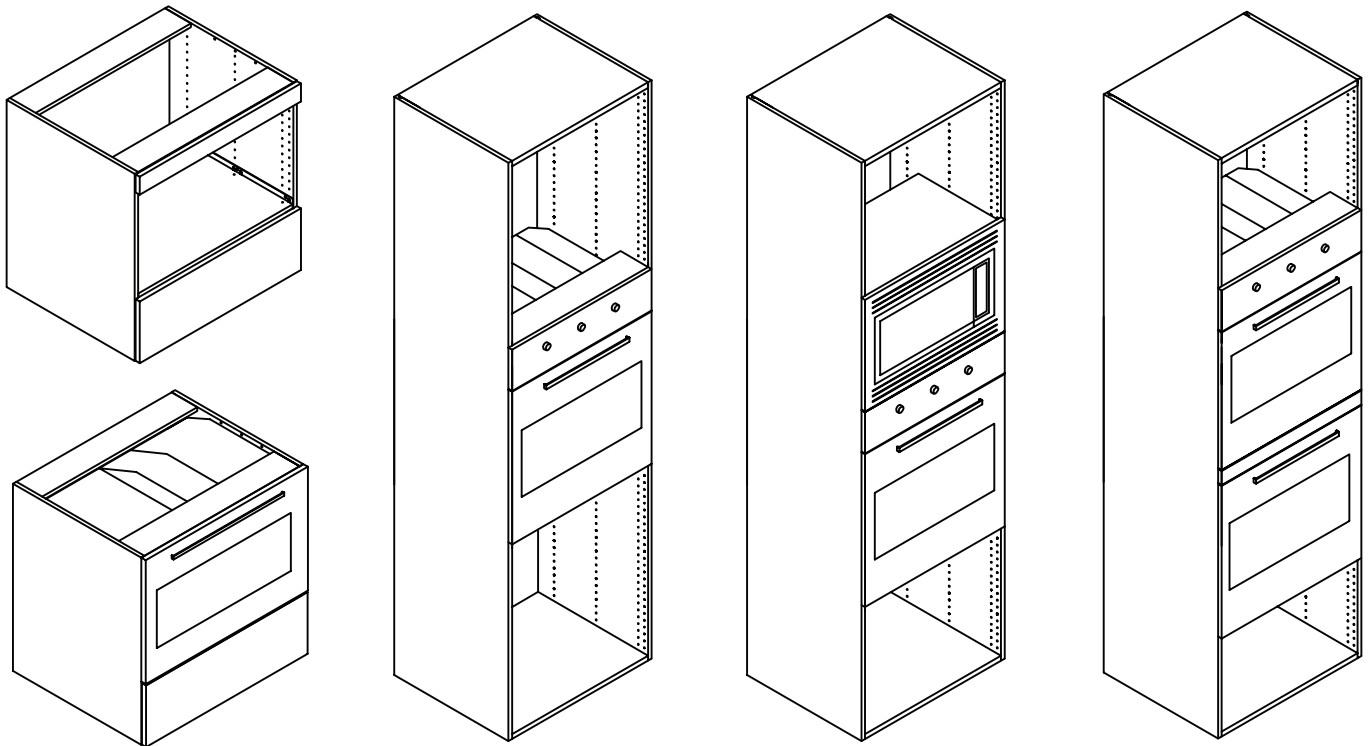


KLĀRVŪE[®]
CABINETRY

To find all Klērvūe Cabinetry[®] installation instructions and installation videos, visit www.klearvuecabinetry.com.

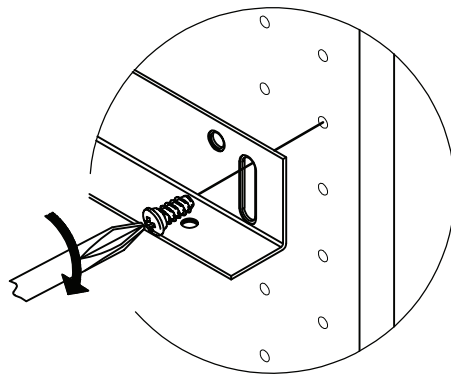
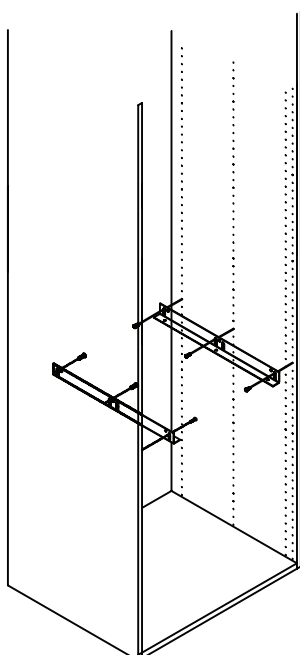
▲ Important: Please check your Design Packet and appliance specifications that are included with **your appliance** to determine the placement of your Reinforced Shelf.

REINFORCED SHELF INSTALLATION

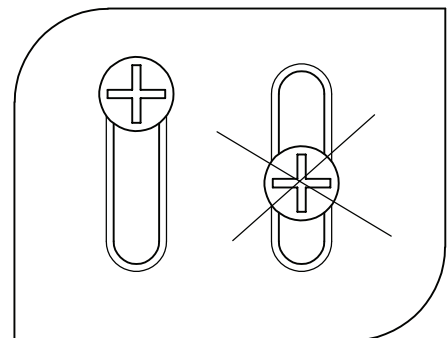


STEP 1:

- Using the Euro Screw, install the reinforced shelf bracket into the pre-drilled holes of the cabinet box. Align the adjustable hole with the front column of pre-drilled holes in the cabinet box.
- Repeat this step on the other side of the box.
- **Note:** Install the Euro Screw at the highest point of the adjustable hole so that the appliance can be levelled as necessary later during installation.

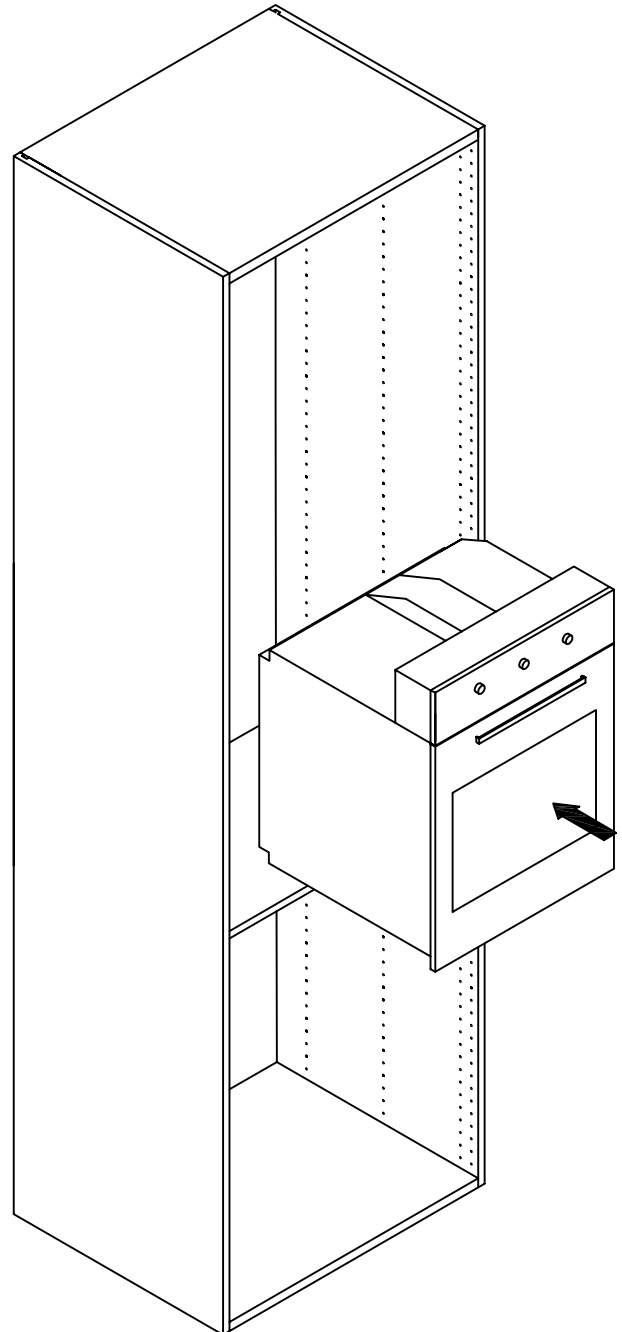
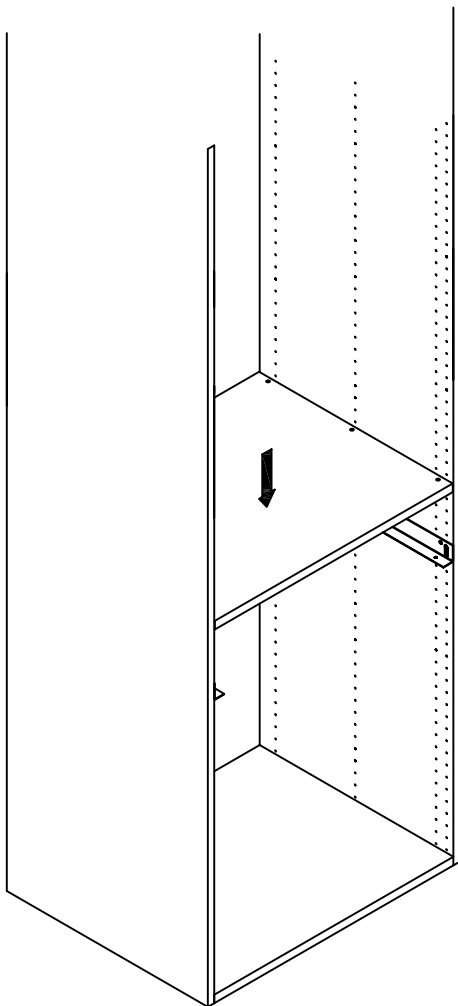


Installed at highest point



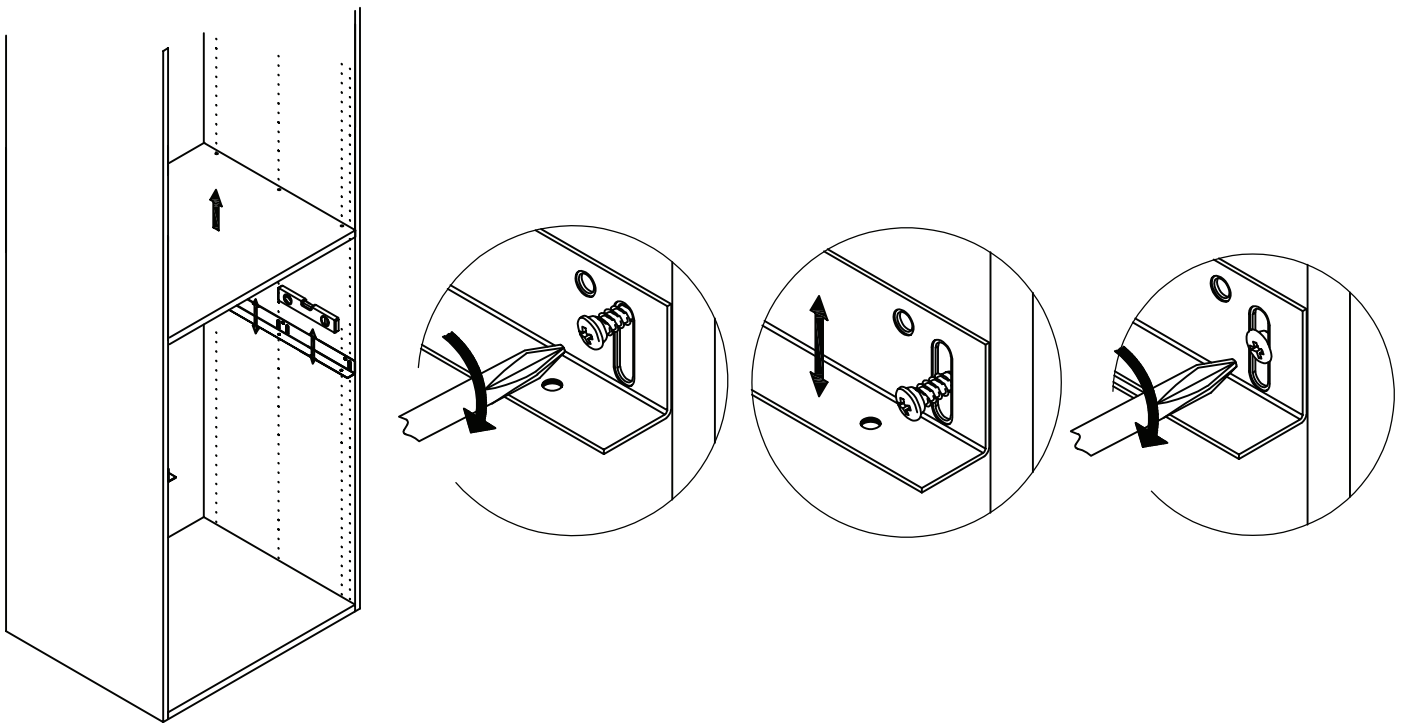
STEP 2:

- Set the shelf onto the reinforced shelf brackets. **DO NOT** fasten the shelf to the brackets at this time.
- Insert the appliance into the cabinet and onto the shelf. With a level, verify if the shelf needs to be adjusted to accommodate your appliance.
- Remove appliance from the cabinet.



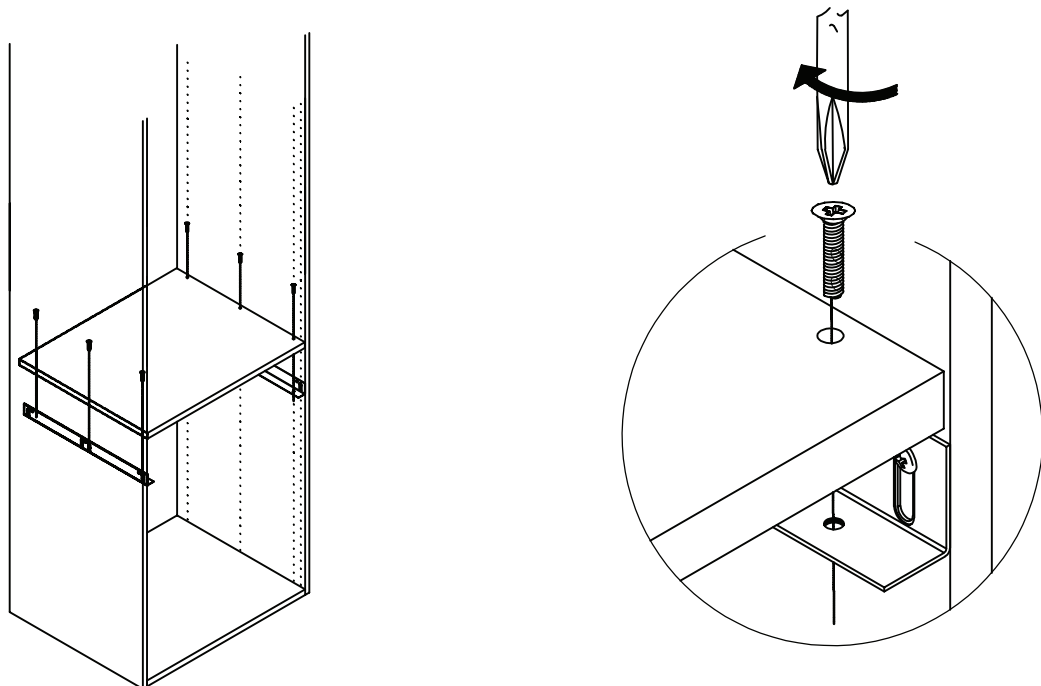
STEP 3:

- Remove the shelf from the brackets if adjustments are necessary. Using a level, adjust the reinforced shelf brackets by untightening the screw in the adjustable hole and then moving it into place.
- Once level, tighten the screw and repeat in the other adjustment holes.



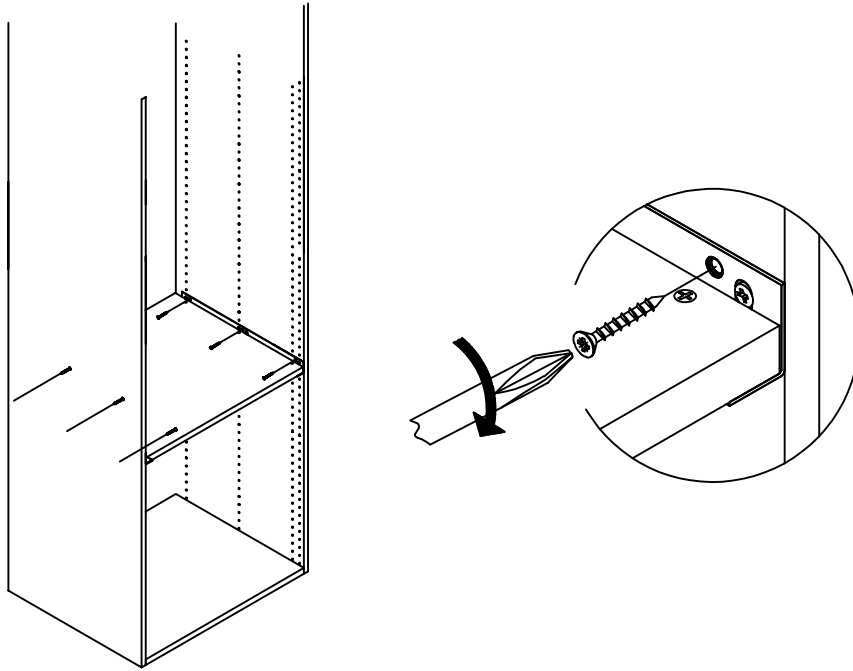
STEP 4:

- Once adjustments have been made to the shelf brackets, you may set the shelf back onto the brackets.
- Secure the shelf onto the brackets with the machine screws by screwing them into the pre-drilled holes of the shelf.



STEP 5:

- Secure the reinforced bracket into place by installing Phillips head short screw into the remaining exposed holes of the bracket.



STEP 6:

- Your appliance can now be installed onto the reinforced shelf.
- Please refer to your appliance manufacturers installation instructions on how to secure the appliance.

