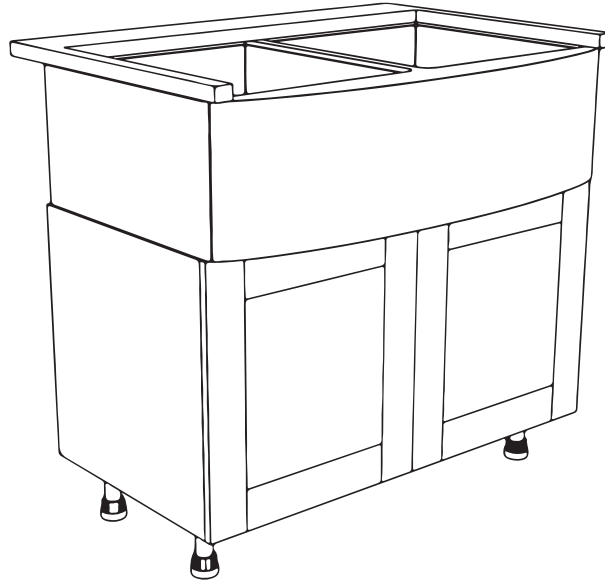
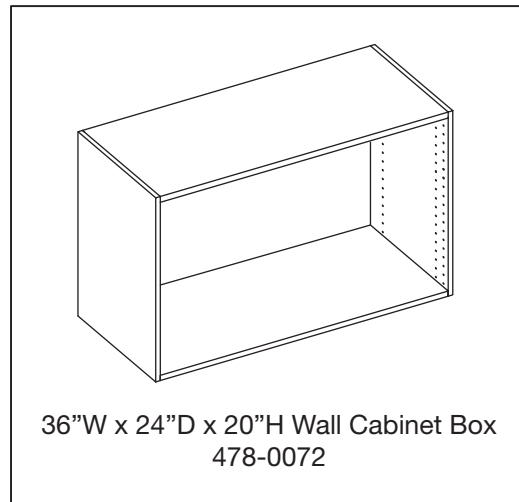
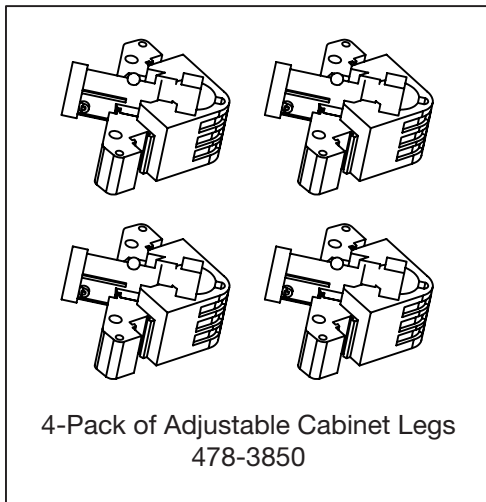


36" APRON SINK BASE CONFIGURATION GUIDE

▲ IMPORTANT: Please check the manufacturer's specifications included with your apron sink prior to installation. The manufacturer's instructions may include important details regarding modifications or extra support necessary for the specific sink being installed onto the cabinetry. This guide will show you how to assemble Klëarvüe Cabinetry® apron sink base cabinets.



ITEMS NEEDED:



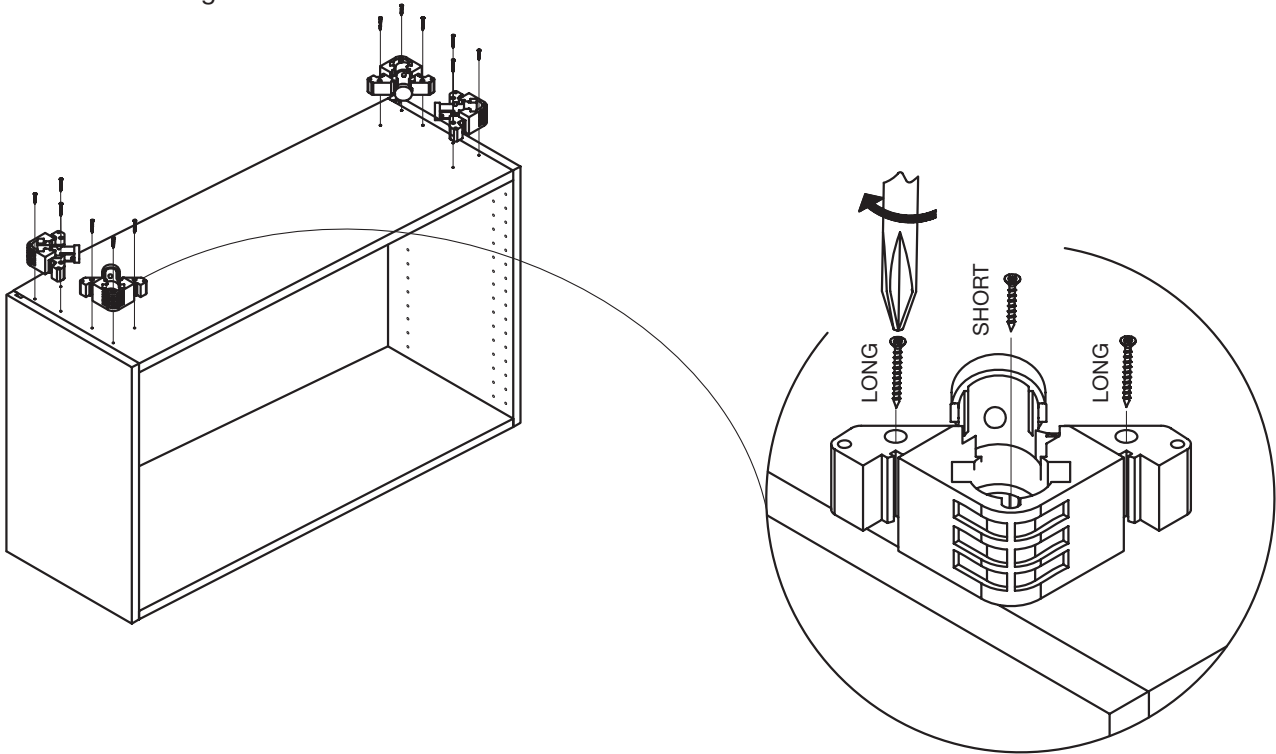
KLËARVÜE®
CABINETRY

To find all Klëarvüe Cabinetry® installation instructions and installation videos, visit www.klearvuecabinetry.com.

Please review the additional steps on Page 5 if your sink is smaller than 36"W x 10"H.

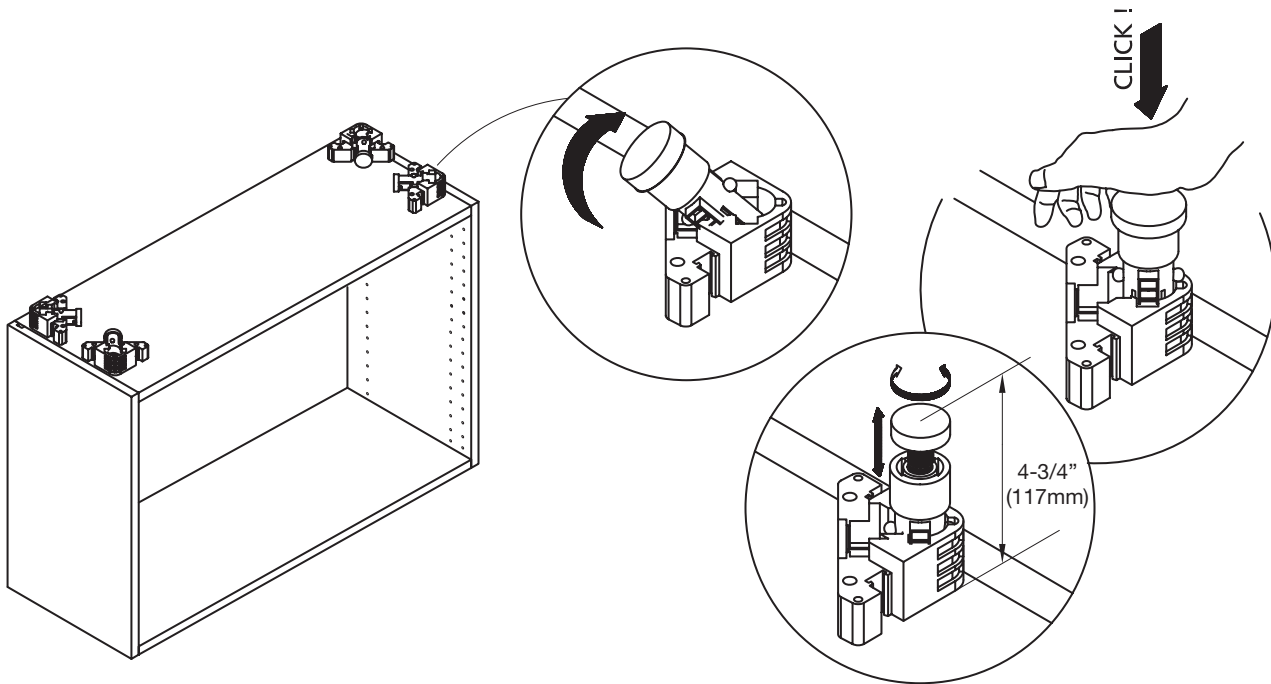
STEP 1:

- Install the 4-pack of adjustable cabinet legs (478-3850) onto the bottom of the cabinet box. Follow the instructions included with the legs.



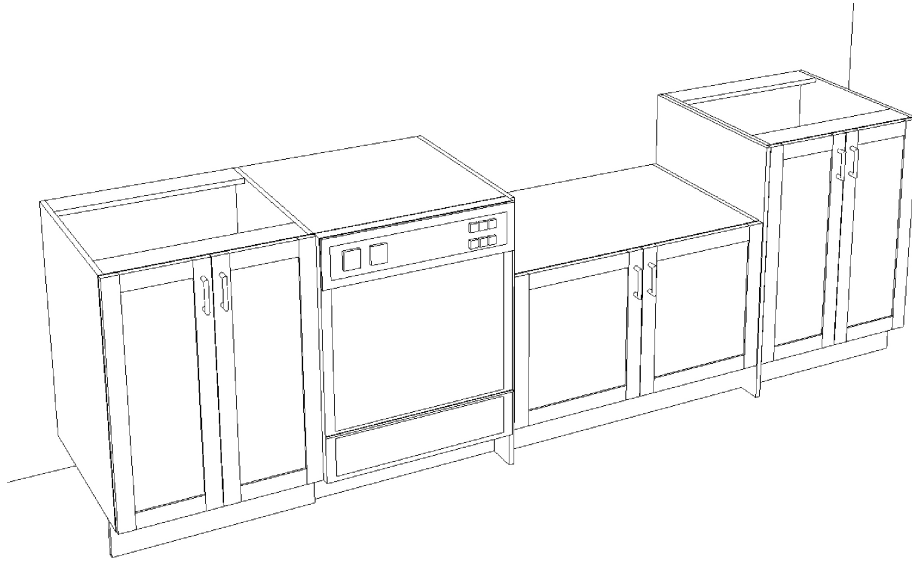
STEP 2:

- Once the cabinet legs are installed, unfold them and push them downward firmly to secure them into place.
- Adjust the legs to the correct height so that the cabinet box will sit level within the run of cabinets.



STEP 3:

- Install the cabinet box within the run of cabinets.

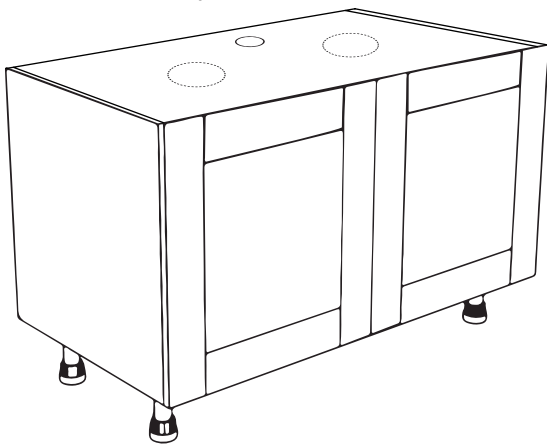


STEP 4:

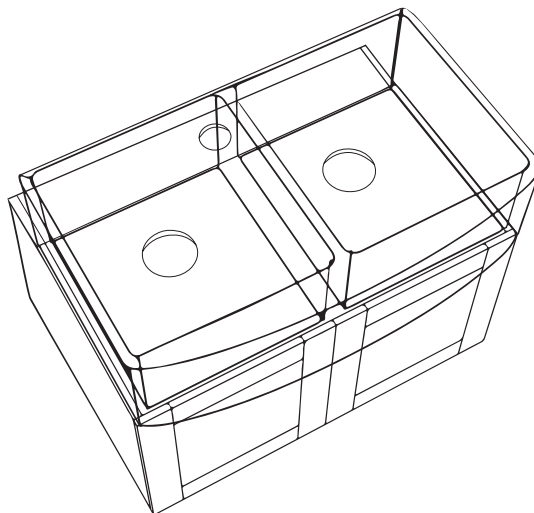
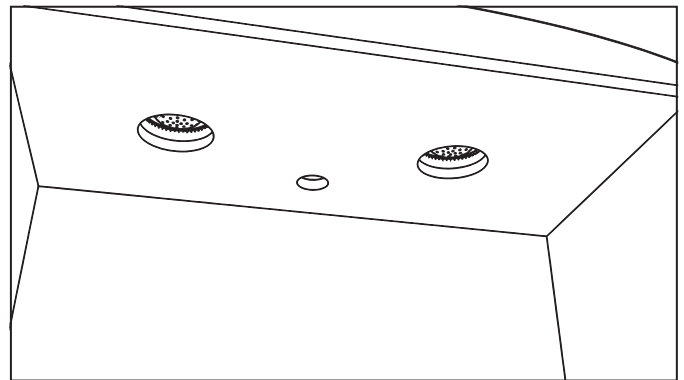
- Set your sink into place on top of the cabinet box and mark the location of where the plumbing for your sink drains will be. You will also want to mark where your faucet water lines will be installed behind the sink.
- Remove the sink from the cabinet box. Using a high tooth-count blade, make the required cuts for the sink and faucet plumbing.

Note: It is not necessary to cut away the entire top of the cabinet box, simply cut the holes for the plumbing.

Top View



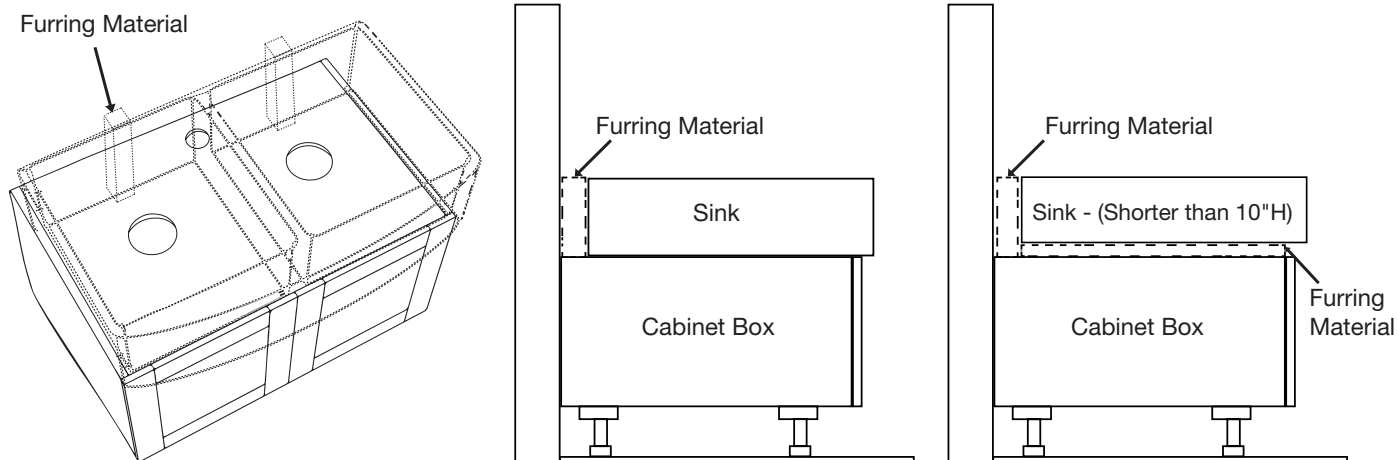
Inside of Cabinet Box



STEP 5:

- You may need to install furring material (**EXAMPLE:** a trimmed 2 X 4 board) to build up support behind the sink to properly accommodate your countertop.
- If your sink is smaller than 10"H you may also need to build the sink up with additional furring material.

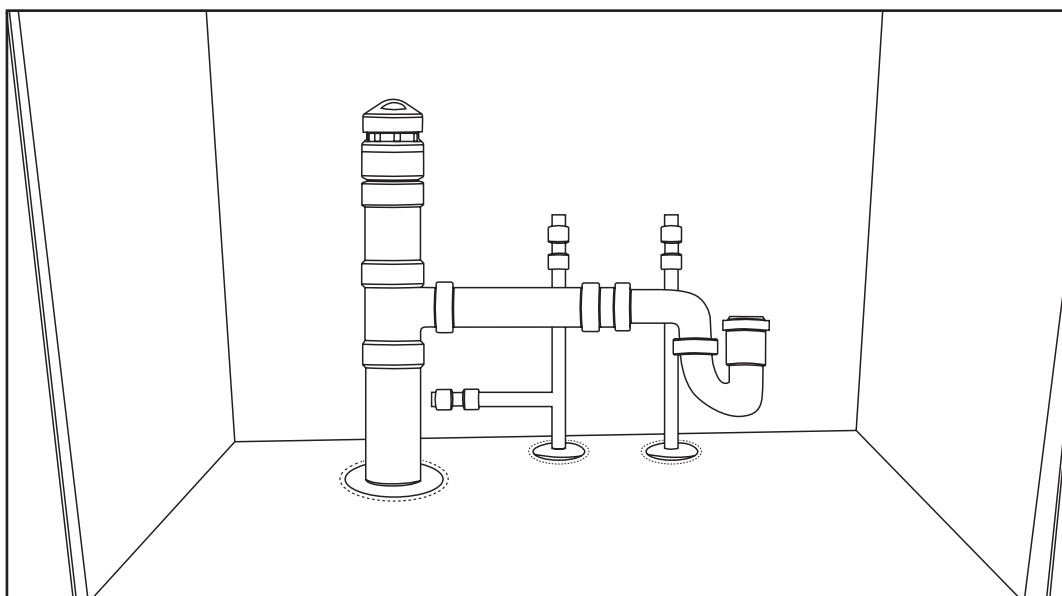
Note: Be sure to leave room for your faucet water lines by spacing the furring material around the holes that are cut.



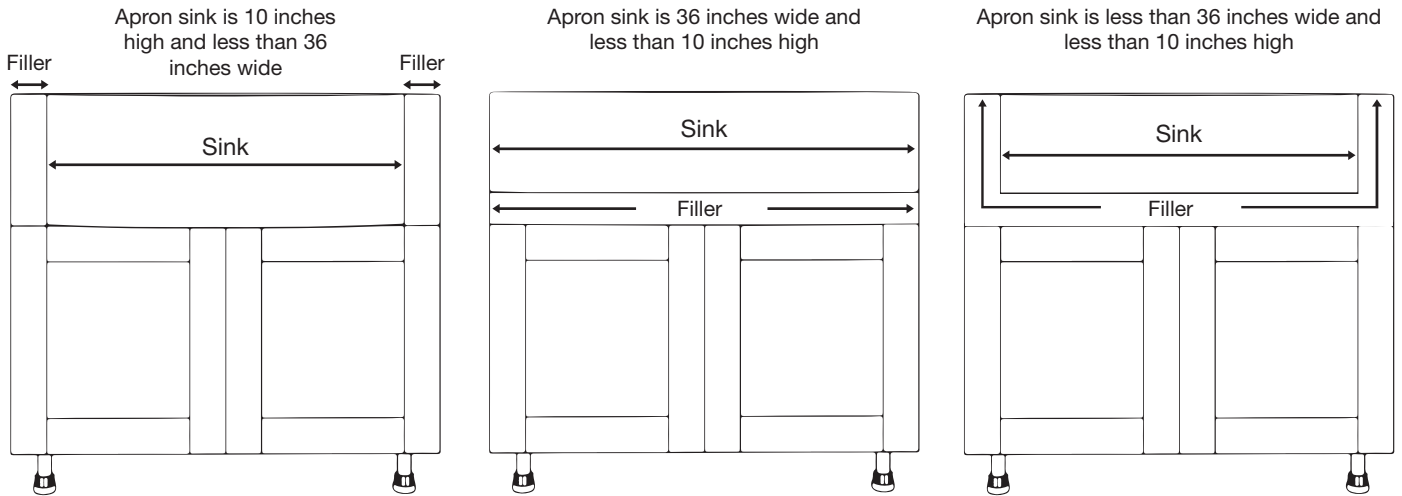
STEP 6:

- Locate your plumbing and cut holes to accommodate on the interior of the cabinet box as necessary.
- Once the holes for the plumbing have been made, the drains and waterlines can be installed. The installed plumbing fixtures will hold your sink in place.

Note: It is recommended that only experienced and professional installers be used to install your plumbing and apron sink.

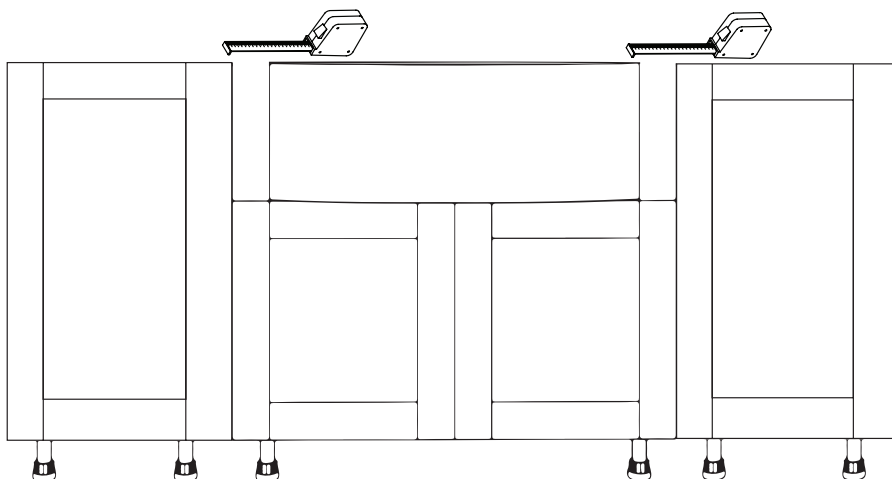
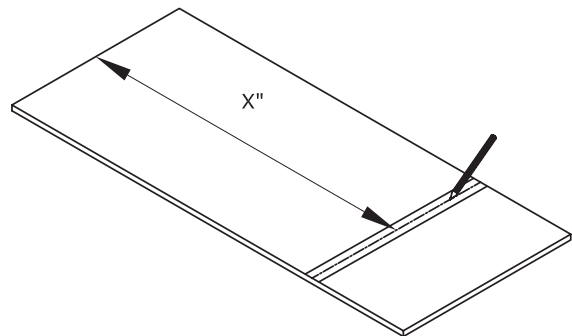


Note: Please follow these additional steps if your sink is smaller than the 36"W x 10"H. Depending on the size of your sink you may need to purchase additional filler material to build your sink into place. Below are several examples of common apron sink scenarios.



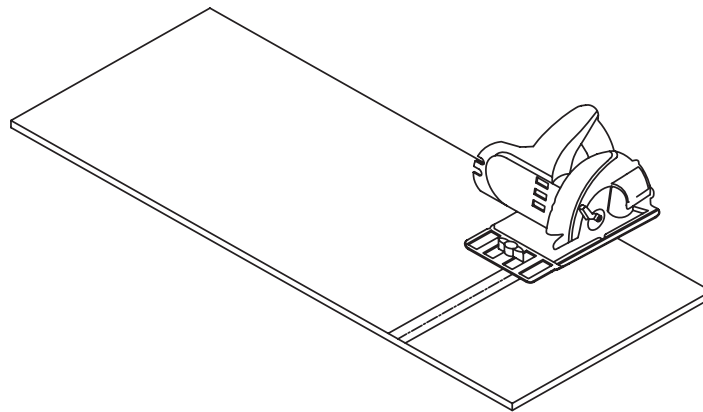
STEP 7:

- You may need to trim extra filler material to fit the excess space around your sink. To do this you may use a drawer front, filler, or cover panel.
- Measure where your cut line will be on the filler material based on the excess space around your sink.
- To get the cleanest cut possible, use painters tape on both sides of the piece where the cut is going to be made.
- Once the tape has been placed onto the desired cutting area, make your cut lines directly onto the painters tape.



STEP 8:

- When cutting, make sure the side of the filler that is going to be exposed is facing downward to help prevent chipping.
- Using a high tooth-count blade, make the required cuts on the cover panel.
- Plan your installation to avoid any exposed cuts.



STEP 9:

- Once the filler material has been cut to size, secure it into place with screws or adhesive (sold separately).
- Tip: You may be able to utilize the Kl earv ue Cabinetry® Small L-Brackets (SKU 478-3866) to install these fillers as well.

