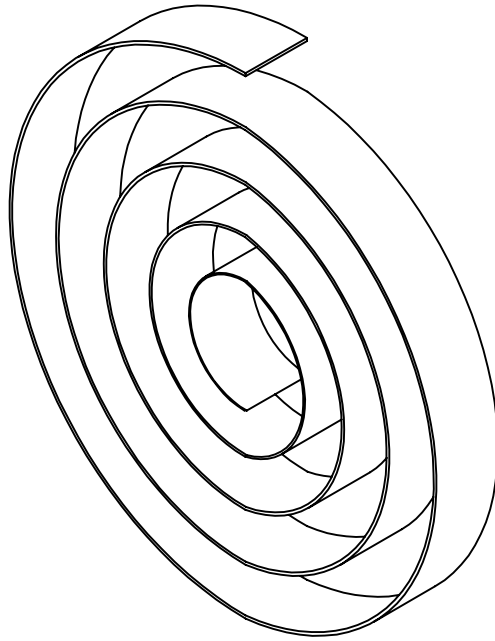


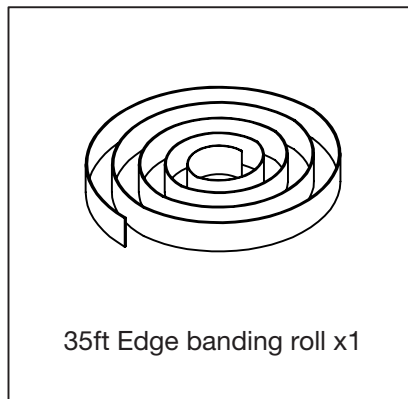
# ADHESIVE EDGE BANDING

## Instructions for Applying Color-Matched Edge Banding



---

### INCLUDES:

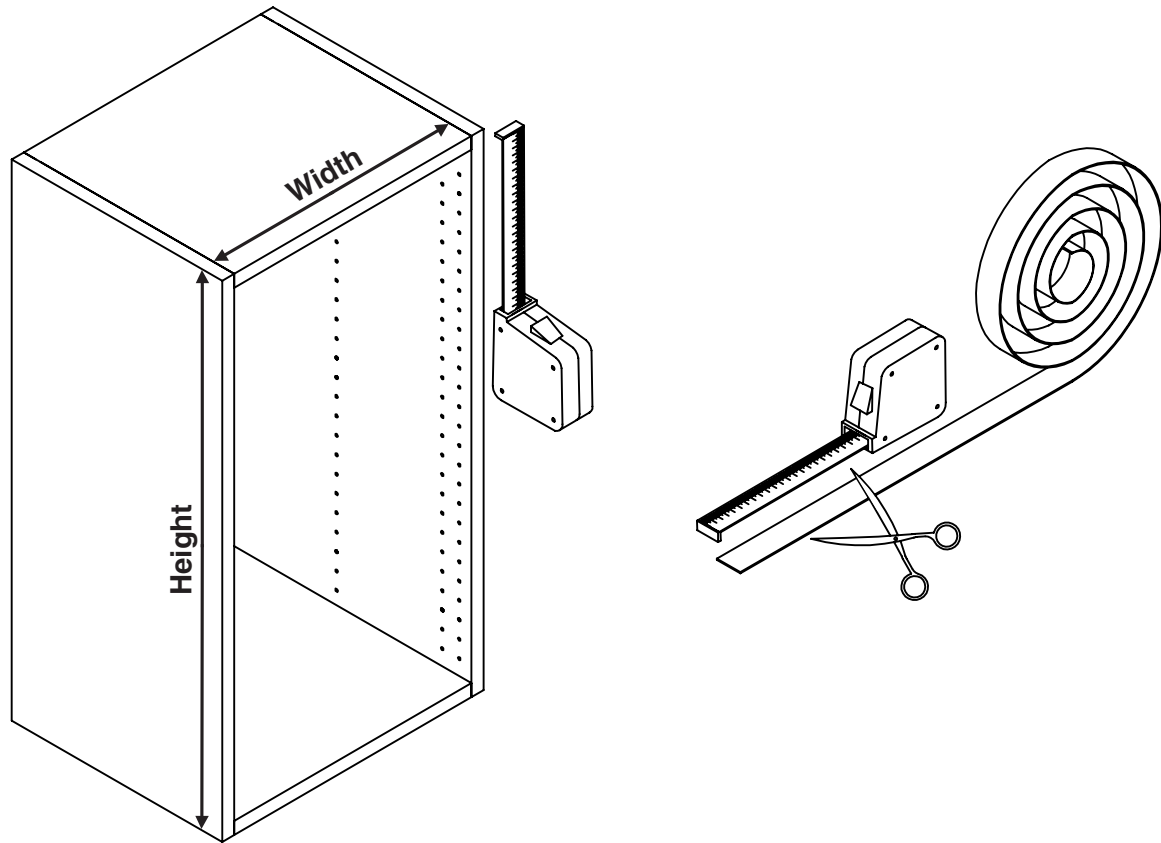


**KLĚARVŮE**<sup>®</sup>  
CABINETRY

To find all KlĚarvŭe Cabinetry<sup>®</sup> installation instructions and installation videos, visit [www.klearvuecabinetry.com](http://www.klearvuecabinetry.com).

**STEP 1:**

- Measure and cut the edge banding with scissors to the width and height of the front edges of the cabinet box.



**STEP 2:**

- Peel and stick edge banding onto the cabinet box.
- Apply pressure to non-adhesive face to ensure adhesion.

