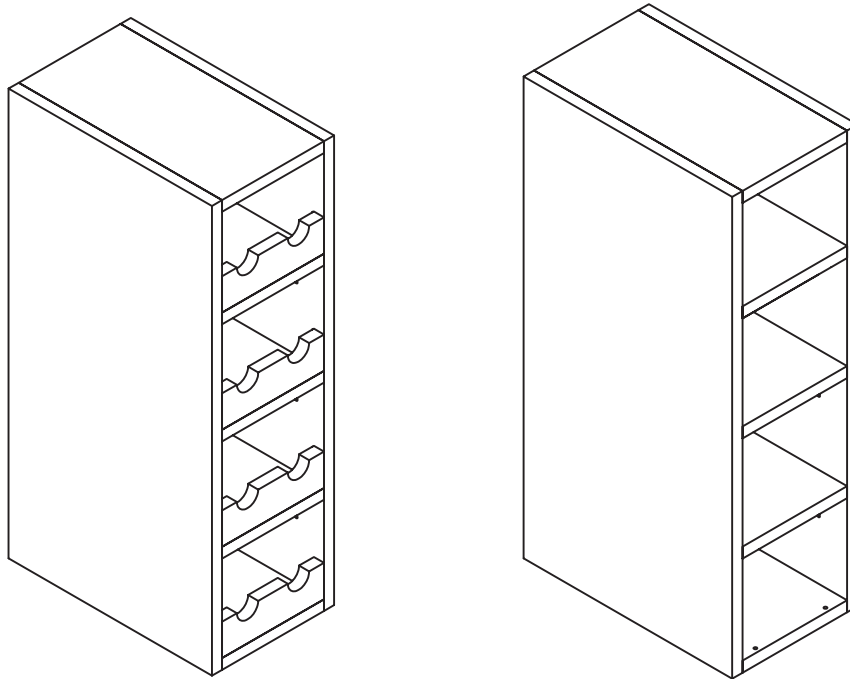


WINE RACK / OPEN SHELVING

Instructions for Installing Wine Racks & Open Shelving Cabinet Boxes

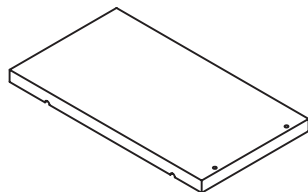


INCLUDES:

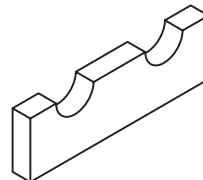
Actual size



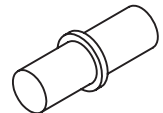
3/16" x 1-3/16"
Long screw x 8
478-9832



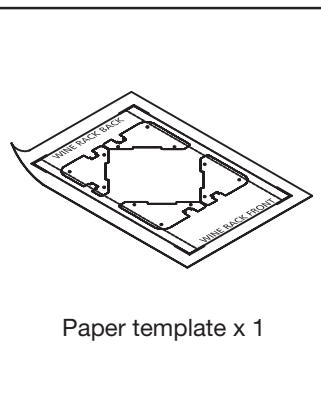
Shelf x 3



Wine rack attachment x 4



Shelf pin x 12



Paper template x 1

KLĚARVŮE[®]
CABINETRY

To find all KlĚarvŮe Cabinetry[®] installation instructions and installation videos, visit www.klearvuecabinetry.com.

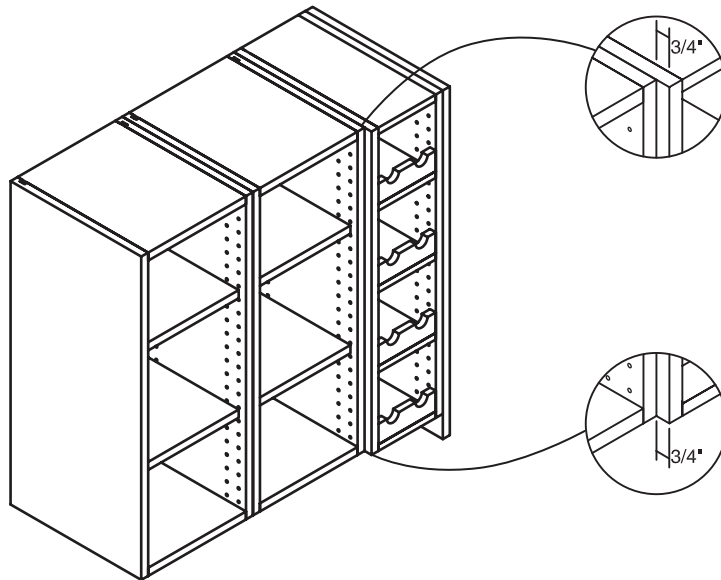
WALL CABINET APPLICATION

STEP 1:

- Install your cabinet onto the wall using cabinet installation screws (sold separately). The Wine Rack/Open Shelf cabinet box should extend 3/4" past neighboring wall cabinet boxes so that the front of the box is flush with doors and drawers.

STEP 2:

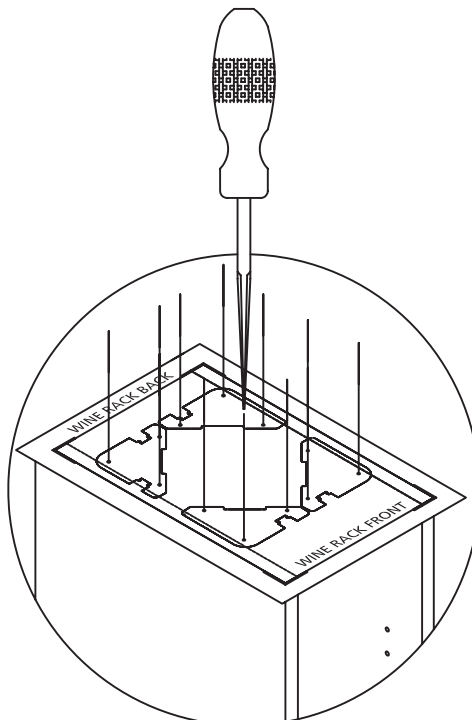
- Holes for **Cabinet Connectors (SKU 478-3872)** will need to be drilled through from a neighboring cabinet box using a 3/16" drill bit (sold separately).
- Be mindful to not place Cabinet Connectors where you intend to install your shelves.



BASE CABINET APPLICATION

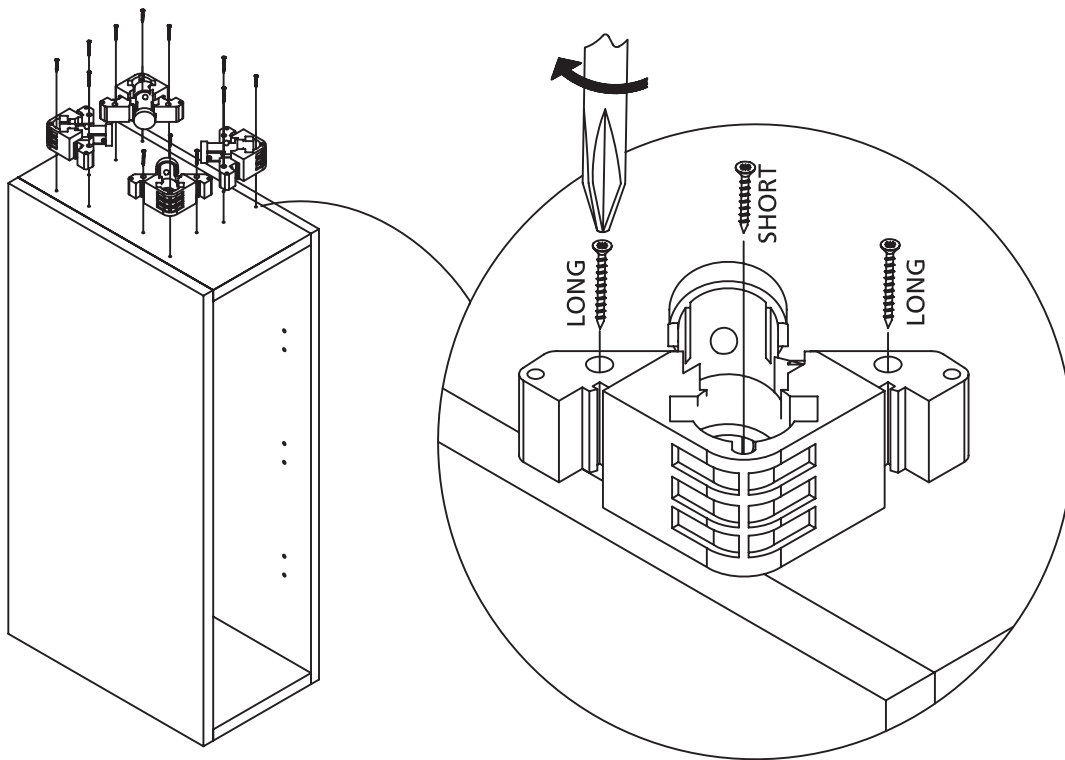
STEP 1:

- Using the provided paper template, mark the designated locations for screw placement to attach the cabinet legs. **Cabinet Legs 4 Pack (SKU 478-3850)** will come packaged separately.
- **Note:** Do Not use the plastic template that comes with the cabinet legs.



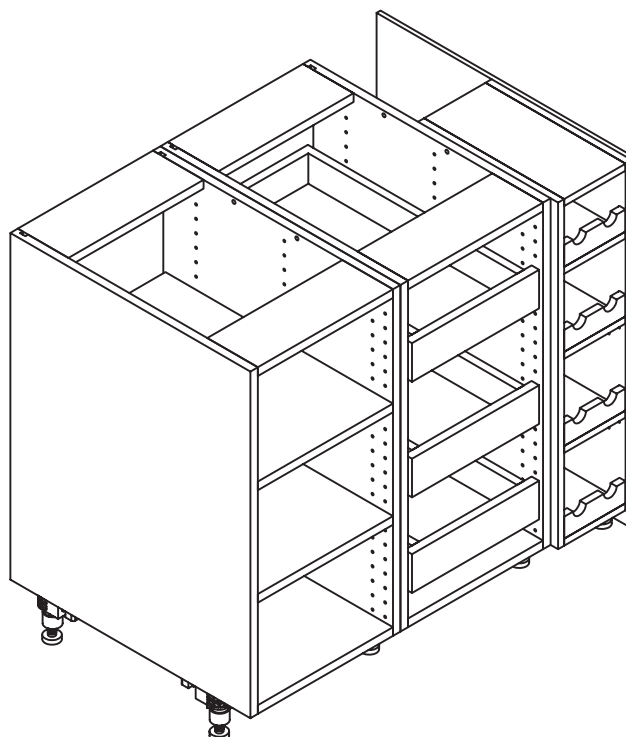
STEP 2:

- Align the cabinet legs at the marked locations. The cabinet legs should face in towards each other.
- To secure the legs to the cabinet box, use the screws that came with the Cabinet Legs 4 Pack.
- The long screws will be used on the outer holes, and the short screw will be used behind the folded cabinet leg.



STEP 3:

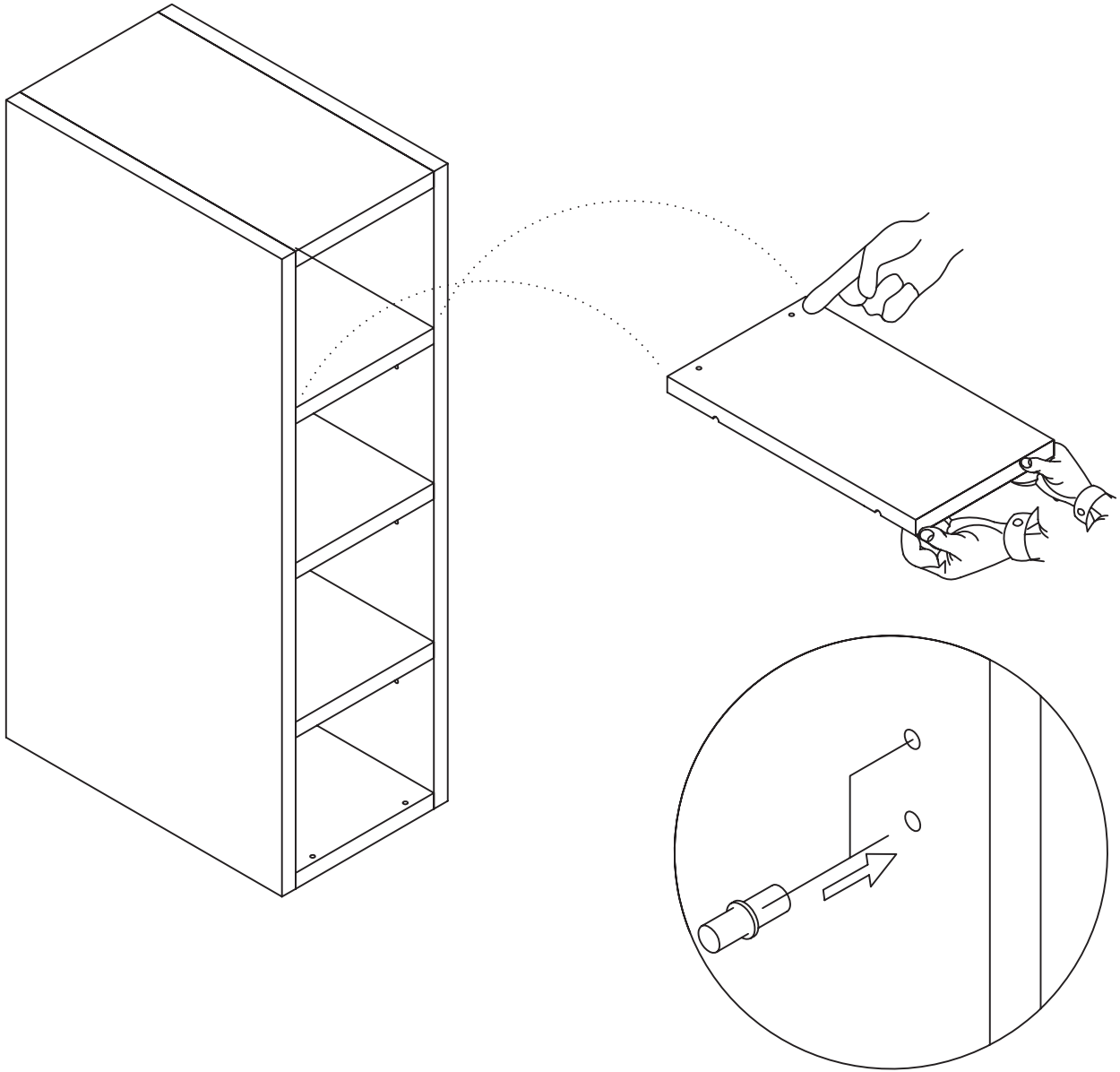
- To ensure proper toe kick installation, set your cabinet to a total height of 34-3/4" measuring from the highest point in your floor.
- The Wine Rack/Open Shelf cabinet box should extend 3/4" past neighboring base cabinet boxes so that the front of the box is flush with doors and drawers.
- Holes for **Cabinet Connectors (SKU 478-3872)** will need to be drilled through from a neighboring cabinet box using a 3/16" drill bit (sold separately).
- Be mindful to not place Cabinet Connectors where you intend to install your shelves.
- **Note:** If the cabinet box is being installed at the end of a run of cabinets a full length cover panel application will be required.



OPEN SHELVING INSTALLATION

STEP 1:

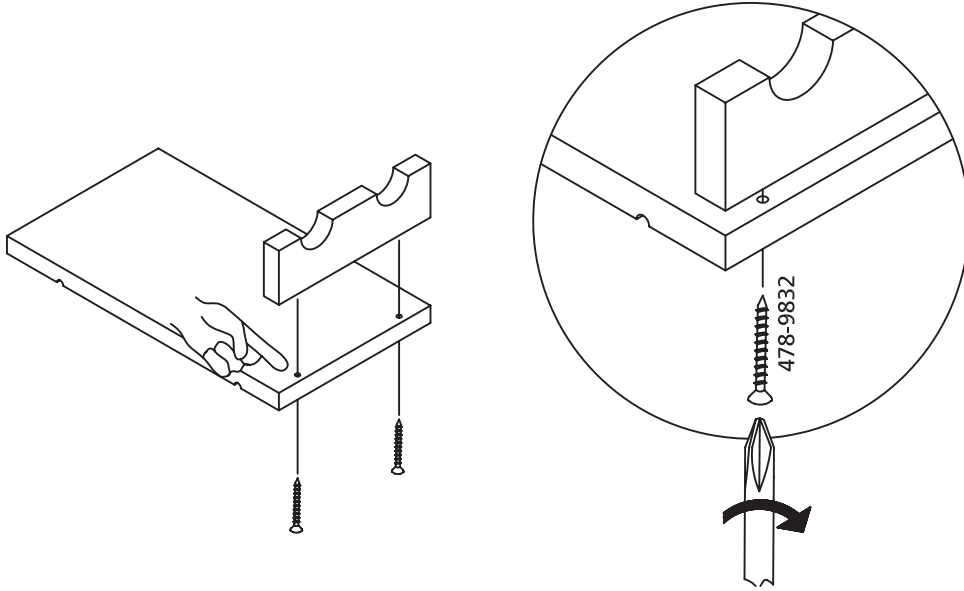
- Insert shelf pins into pre-drilled holes and place shelf at desired height.
- Shelves will have pre-drilled holes for wine rack attachments. Make sure the holes are installed toward the back of the cabinet so they are not visible.



WINE RACK INSTALLATION

STEP 1:

- Align the pre-drilled holes on the bottom of the wine rack attachment and the shelf.
- Using the provided long screws (SKU 478-9832) install the wine rack attachment through the bottom of the shelf.



STEP 2:

- Insert shelf pins into pre-drilled holes and place shelf at desired height.

