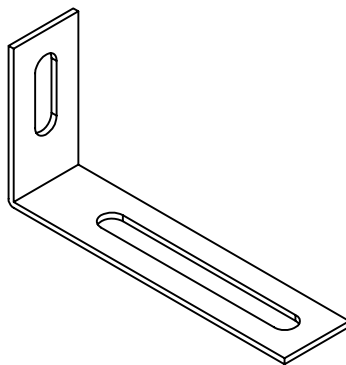


INCLUDES:



X 2

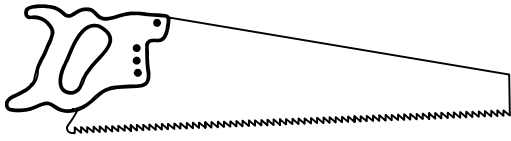
R37413



R30898

X 6

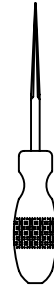
TOOLS NEEDED:



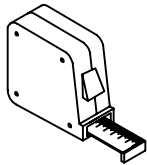
Hand Saw



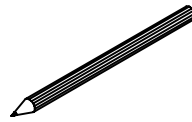
Phillips Head
Screwdriver



Center Punch

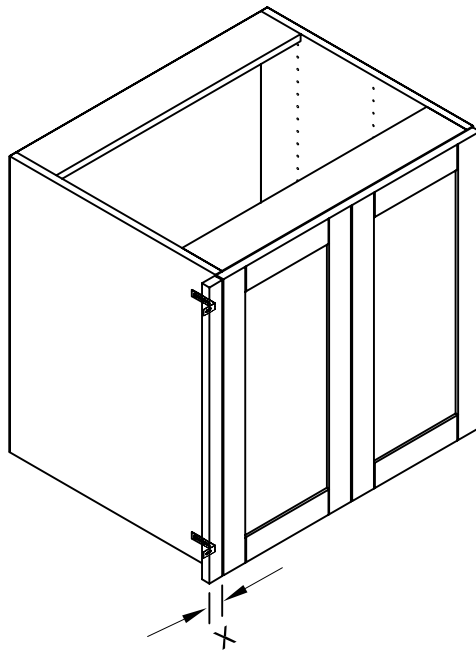


Tape Measure

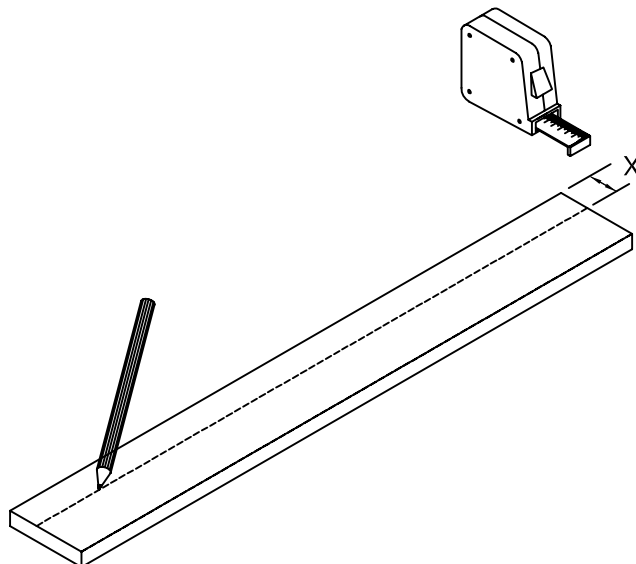


Pencil

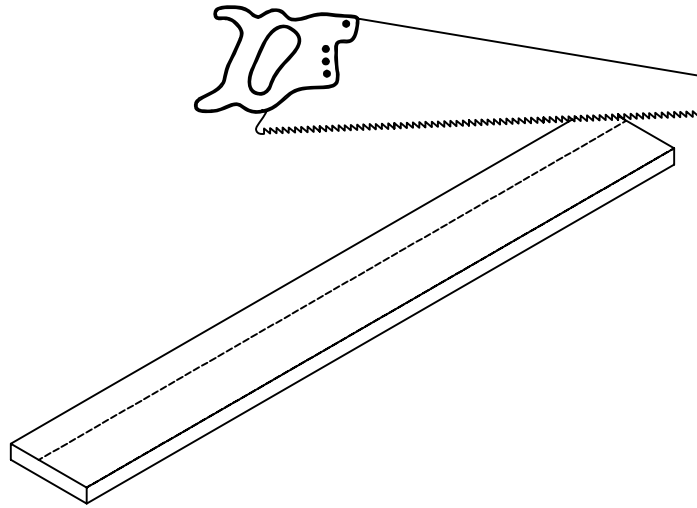
FILLER APPLICATION:



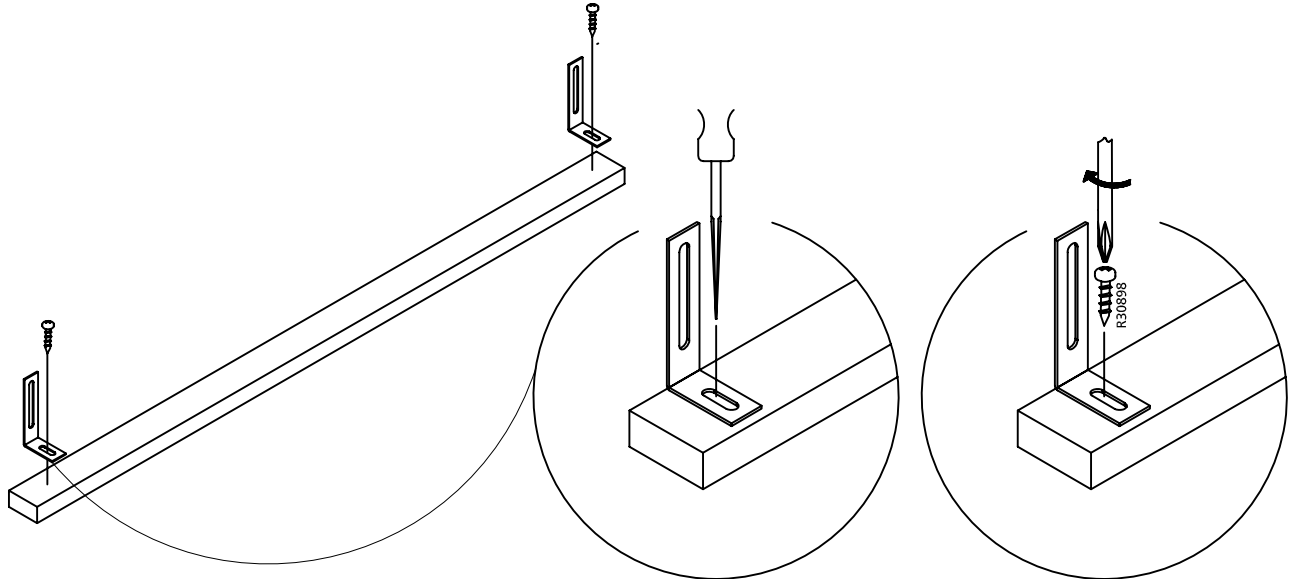
1



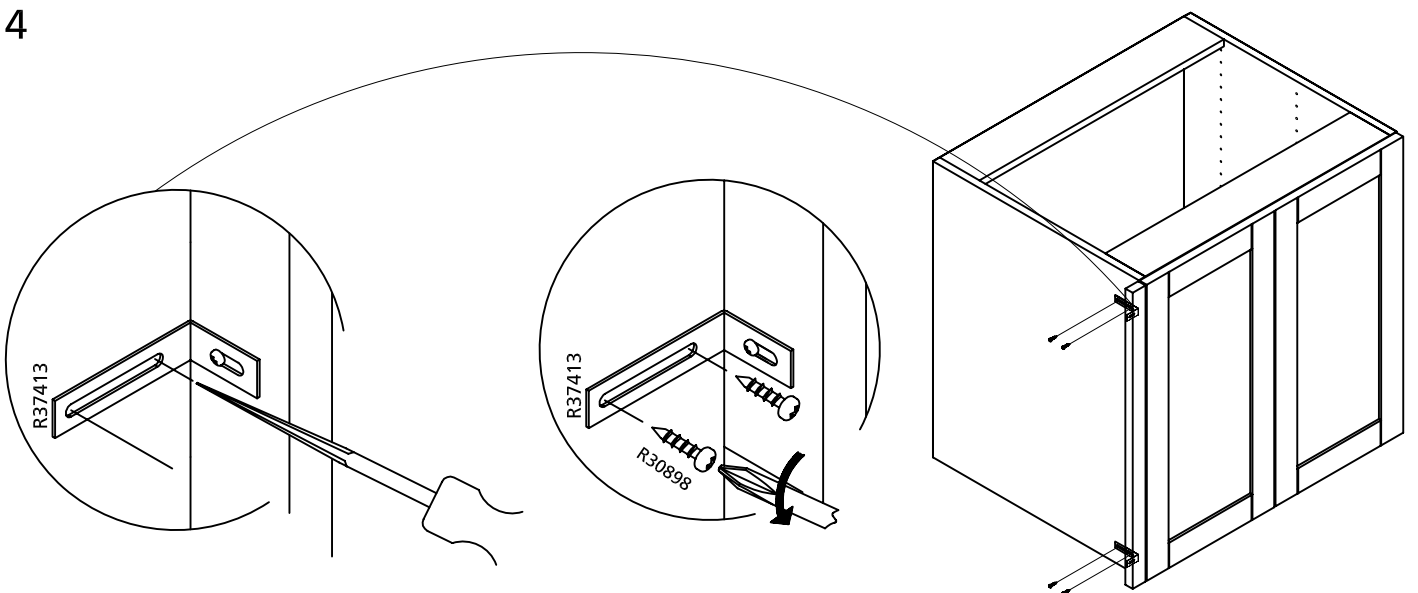
2



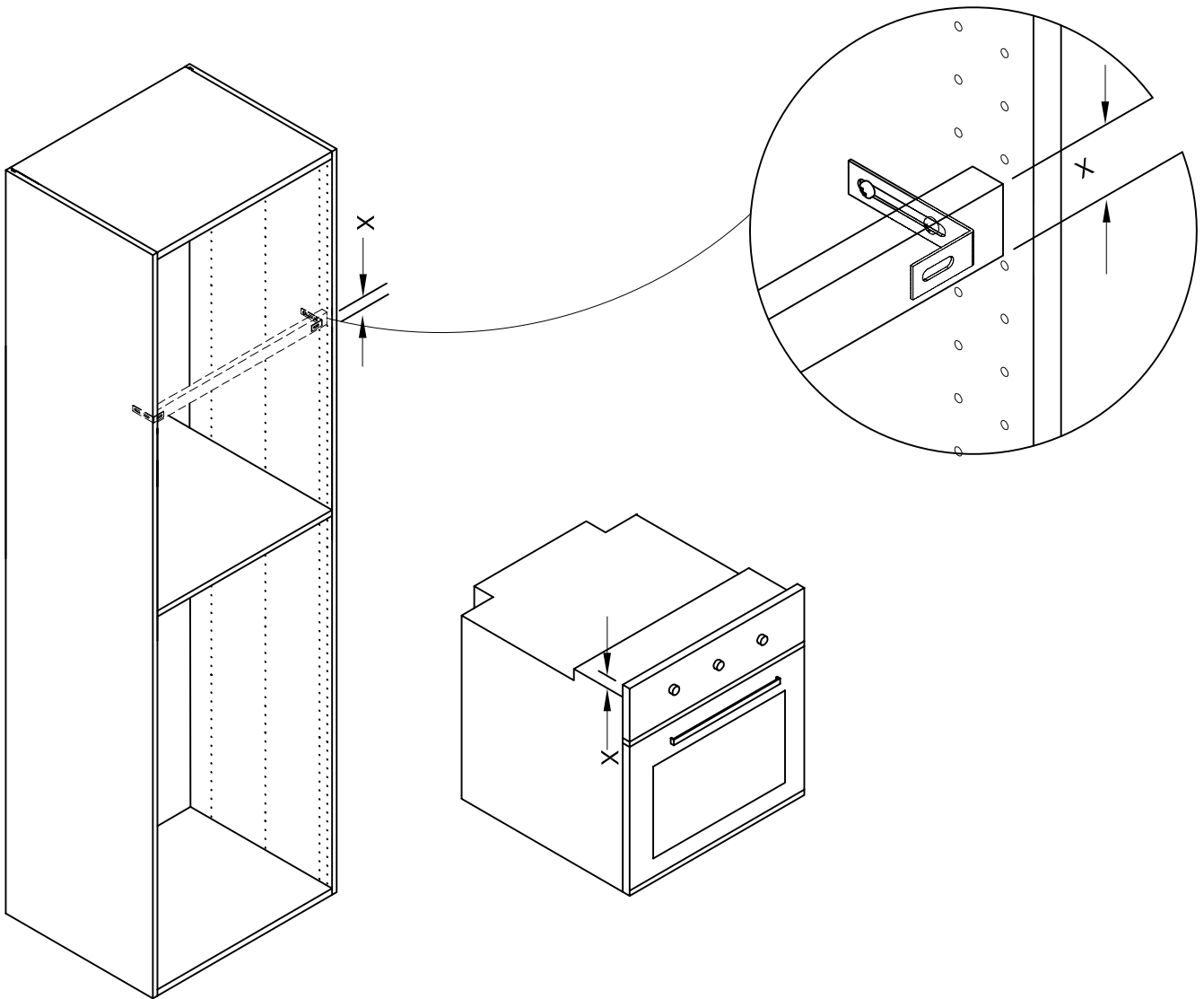
3



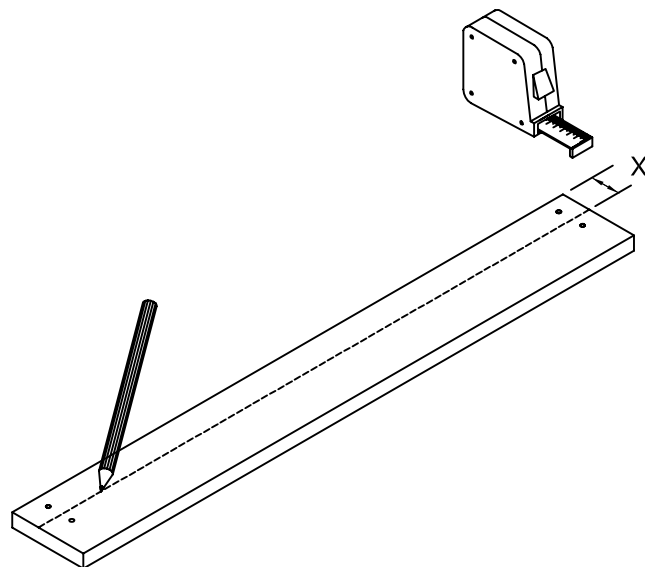
4



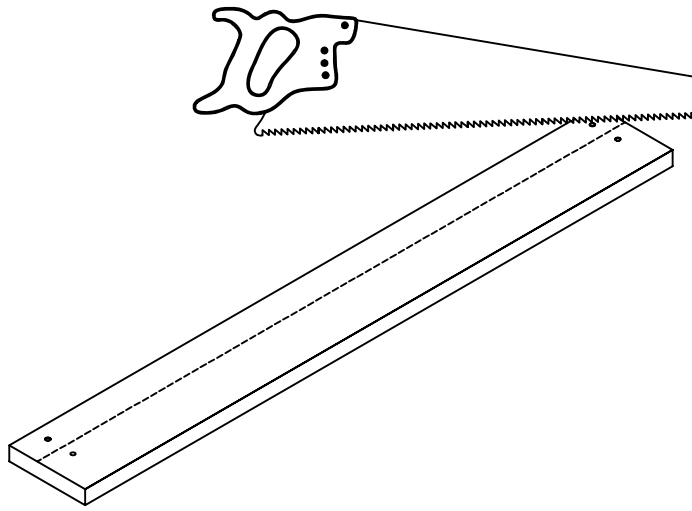
INTERIOR FILLER APPLICATION :



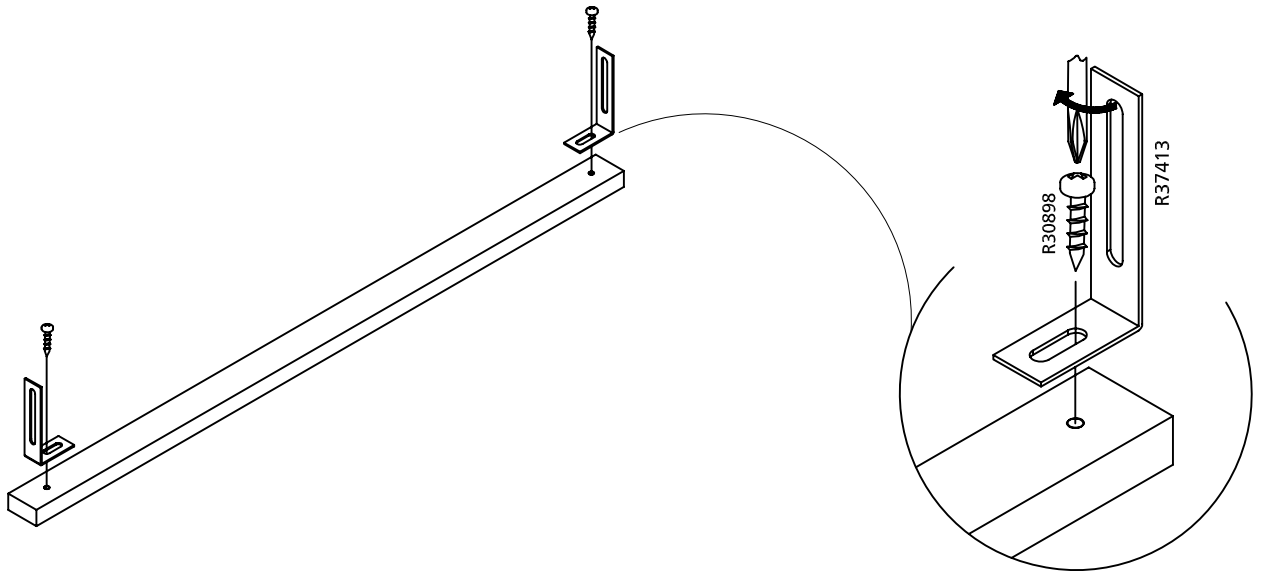
1



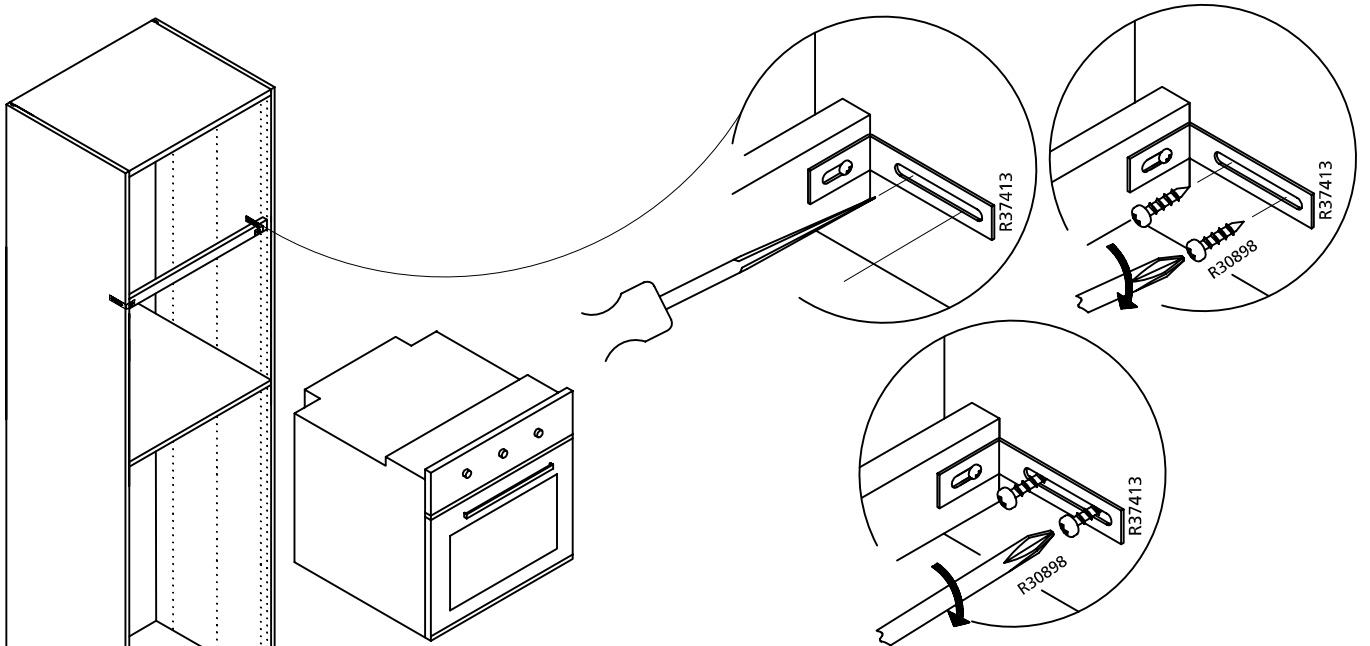
2



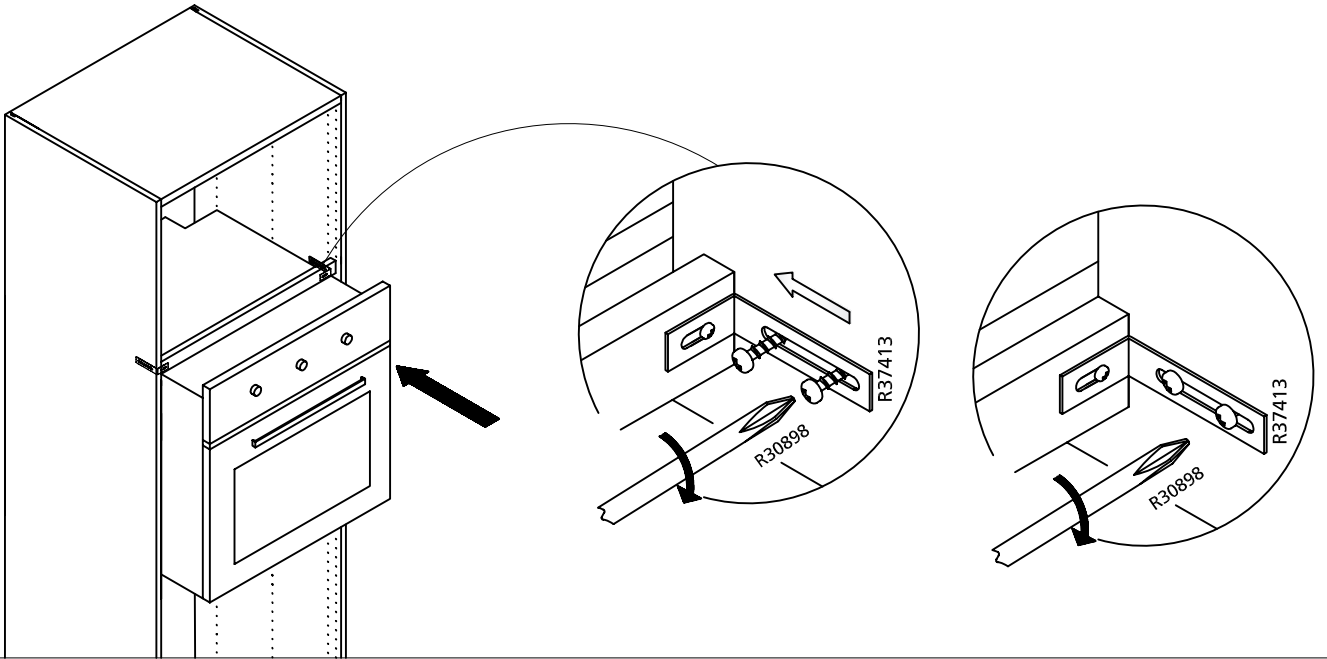
3



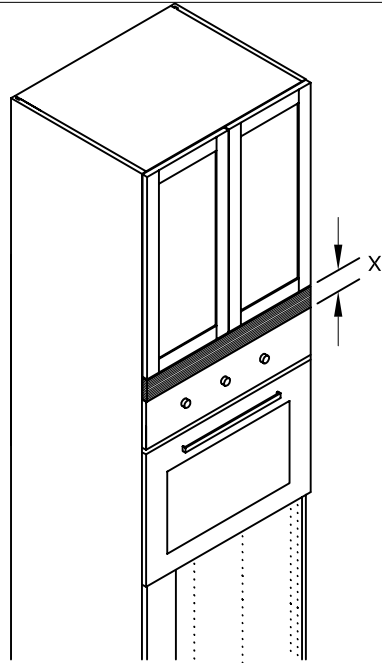
4



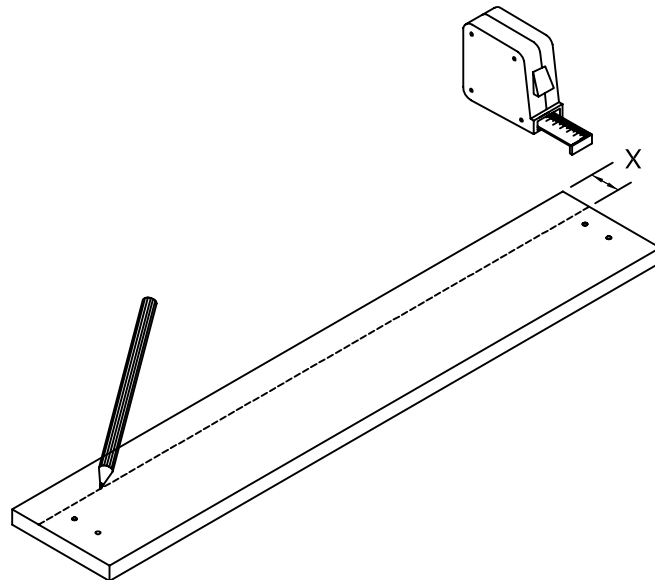
5



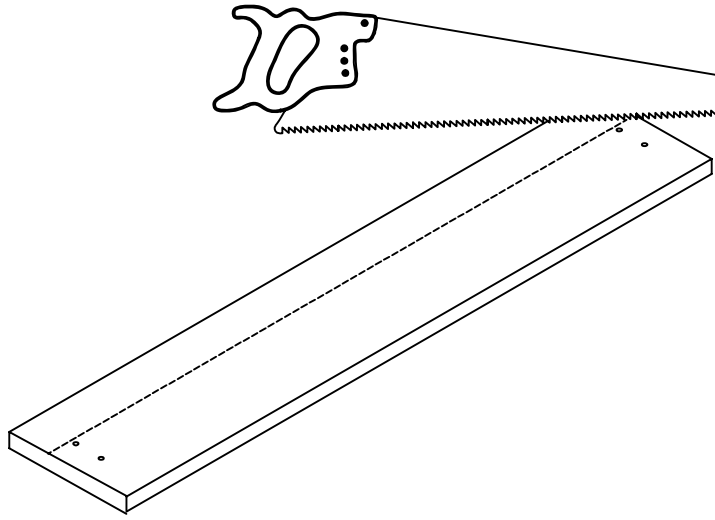
FIXED FRONT APPLICATION :



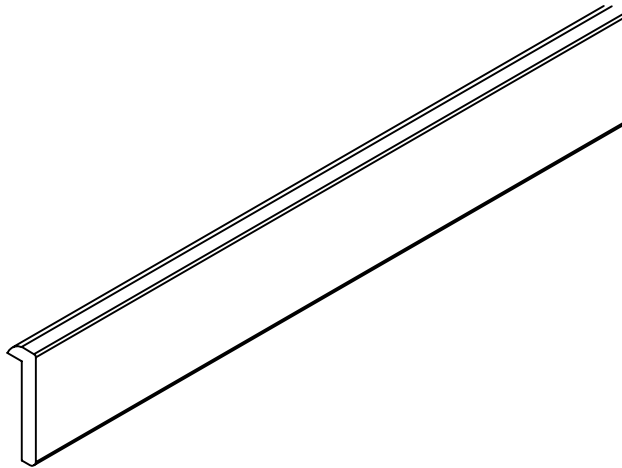
1



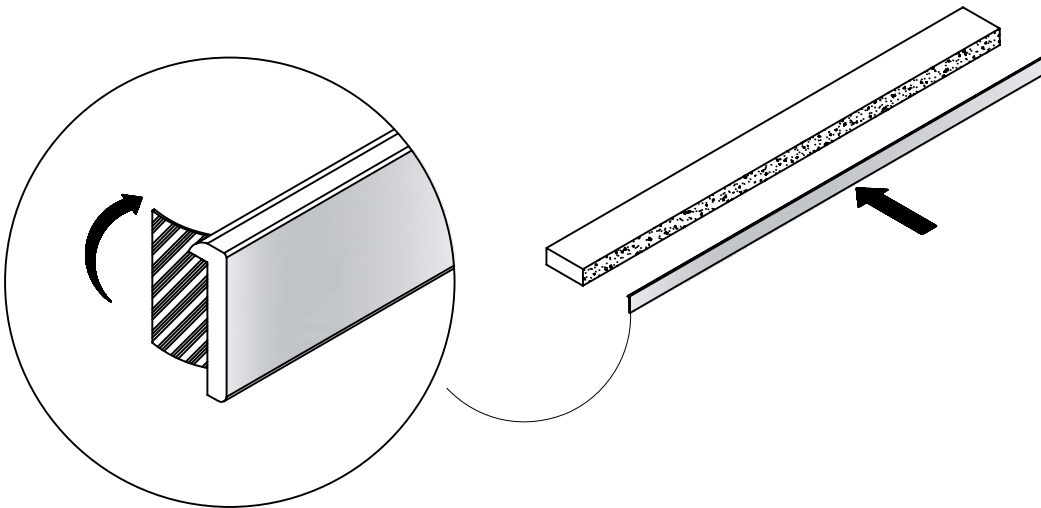
2



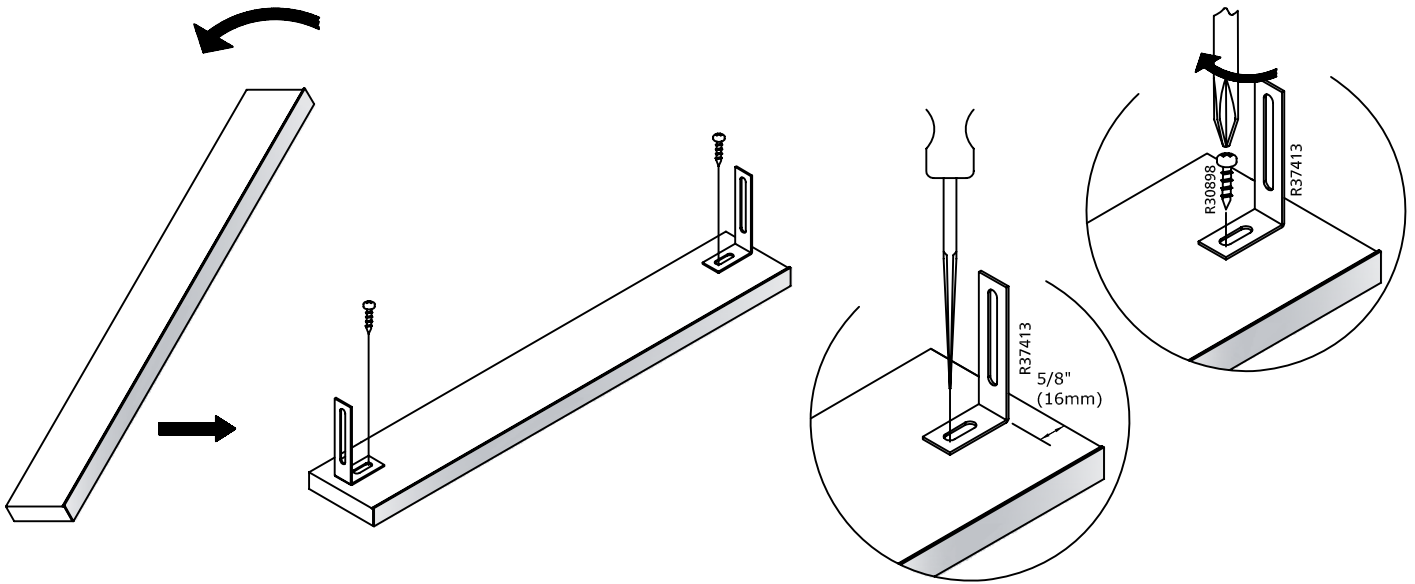
USE COMPONENTS FROM APPLIANCE EDGE TAPE



3



4



5

