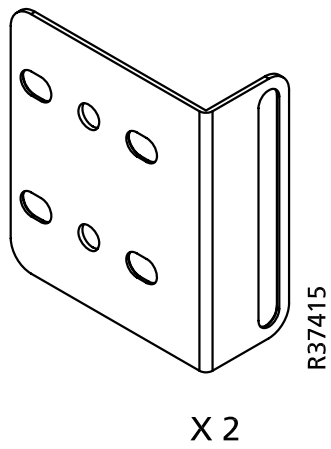


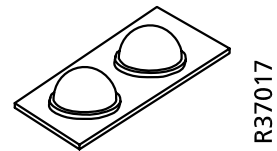
INCLUDES:



X 2

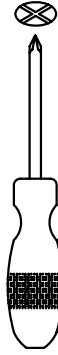


X 12



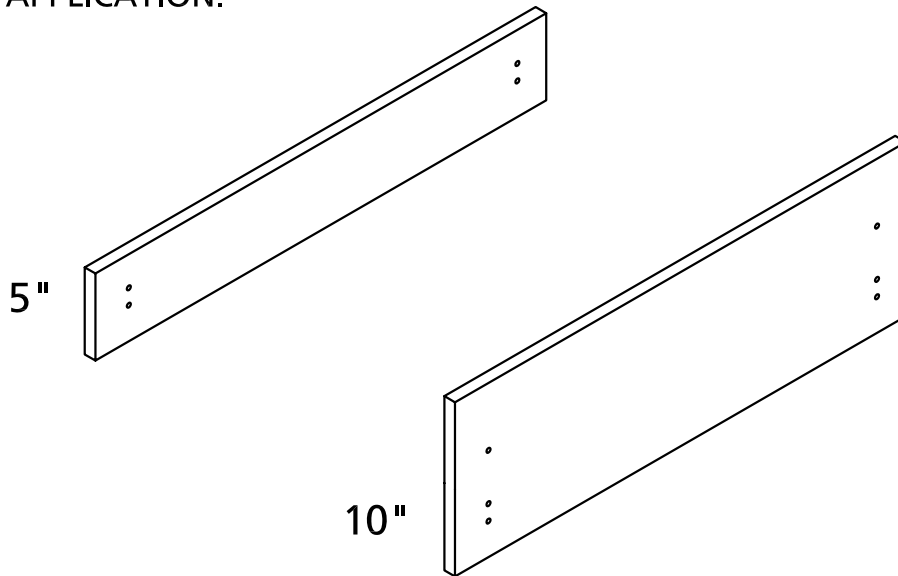
X 2

TOOLS NEEDED:

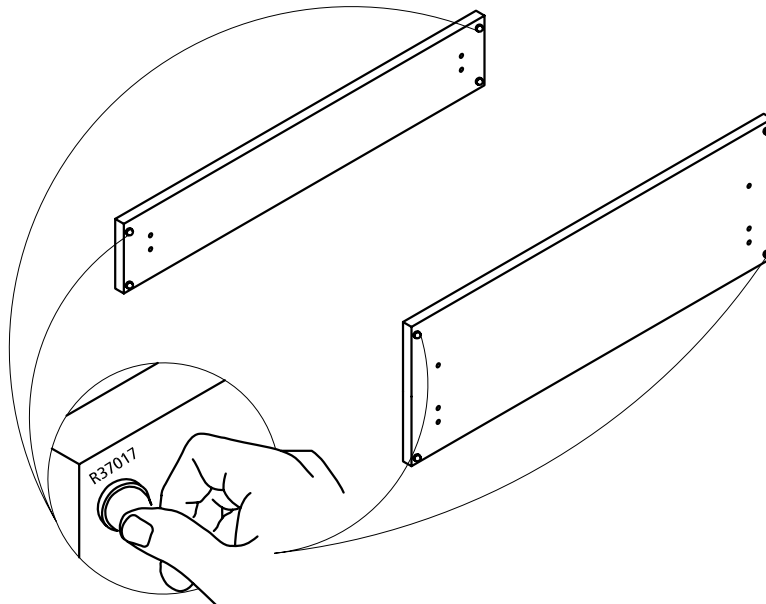


Phillips Head
Screwdriver

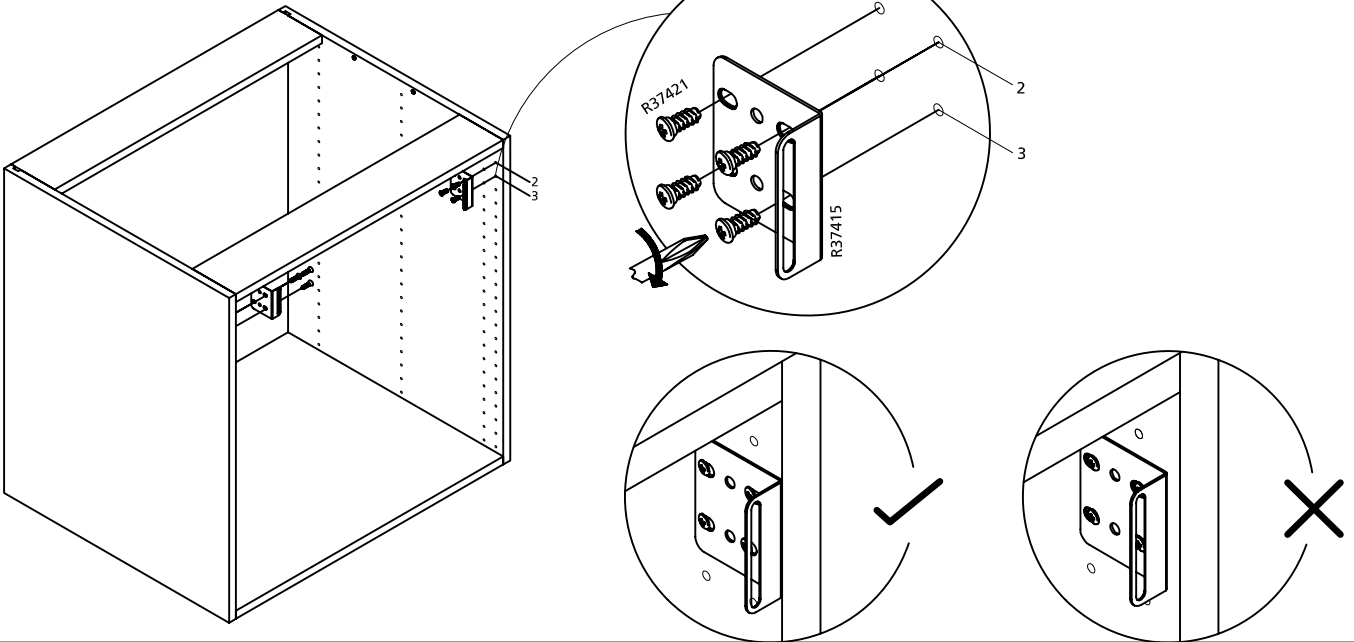
FALSE FRONT APPLICATION:



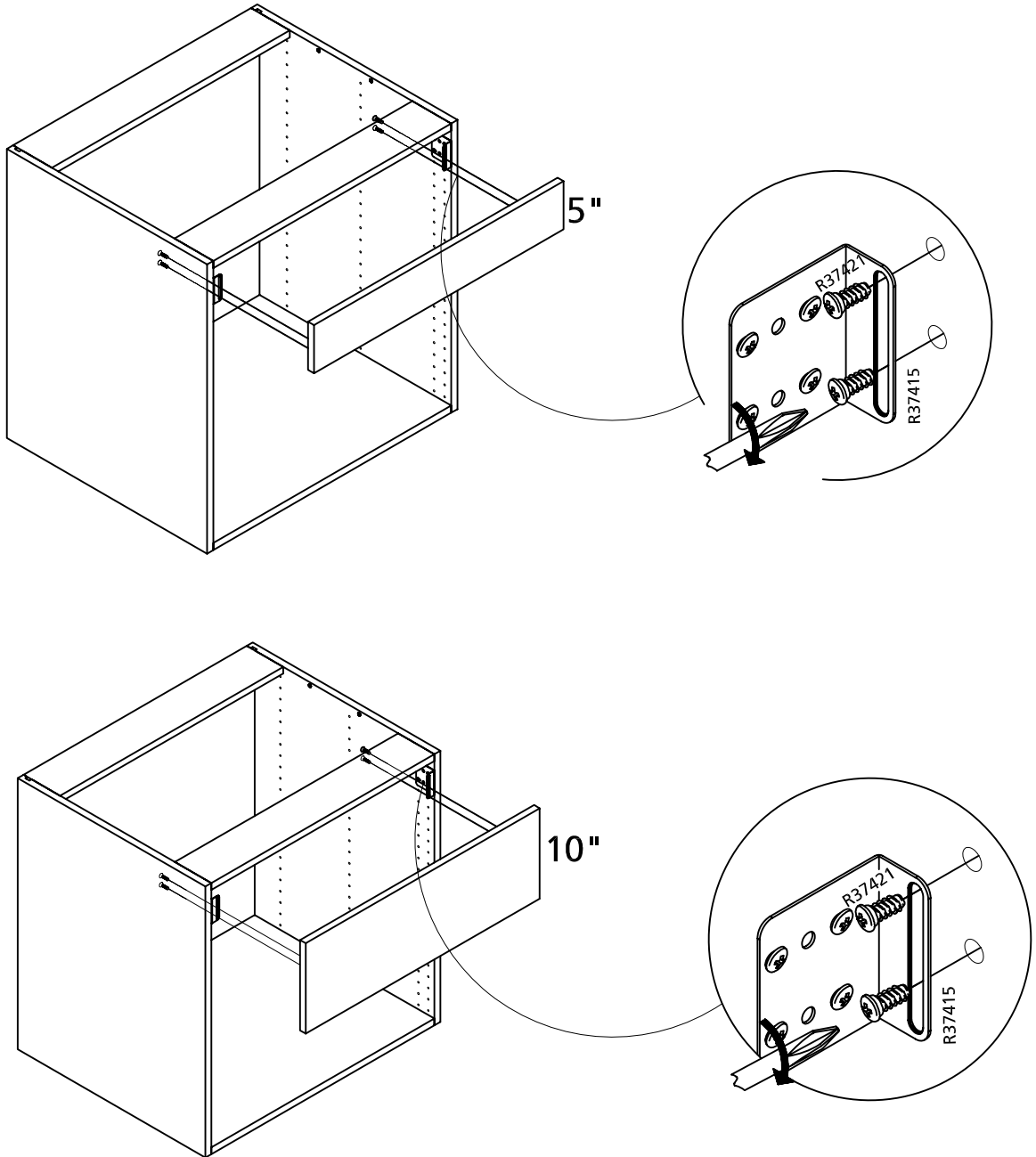
1



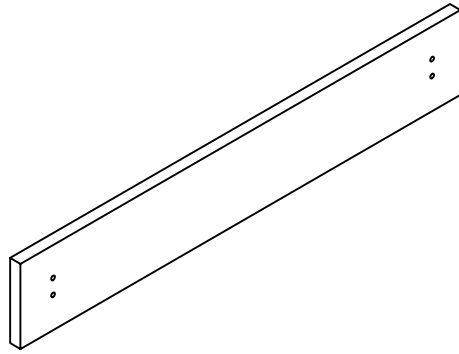
2



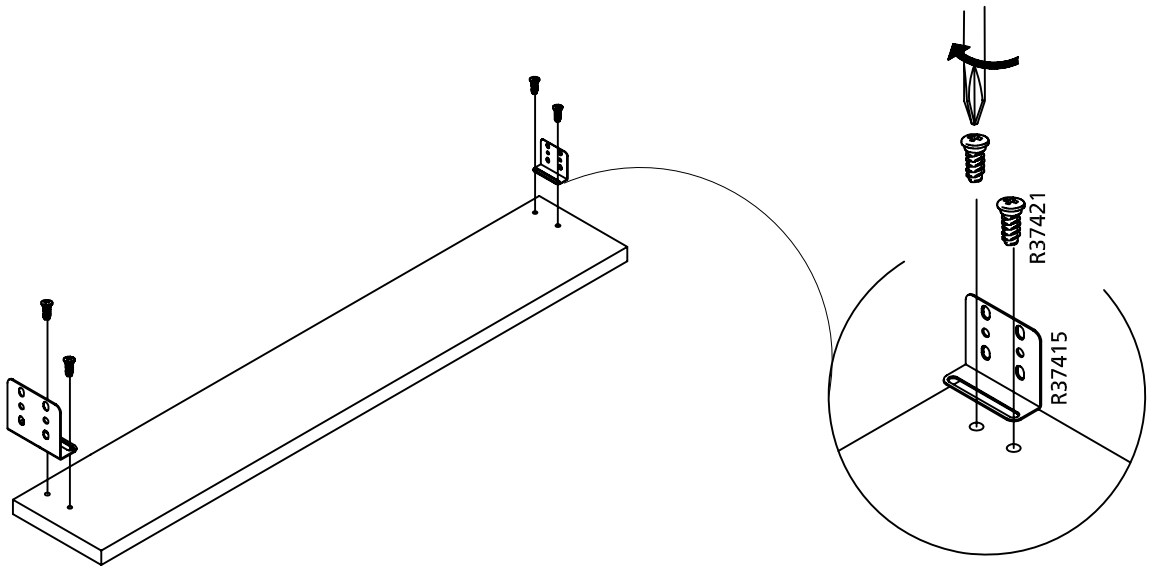
3



APPLIANCE FILLER APPLICATION:



1



2

