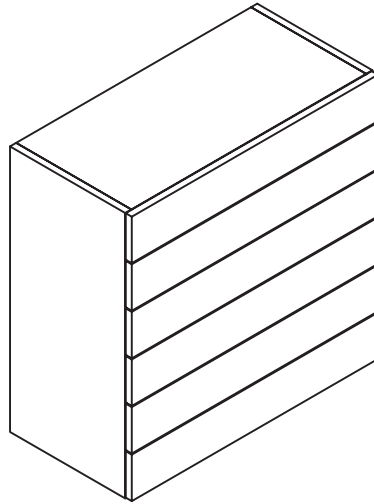
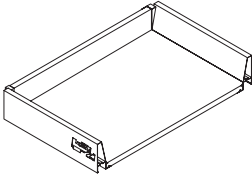


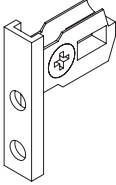
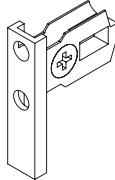
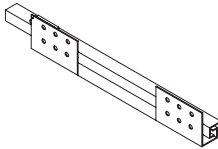
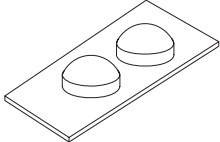

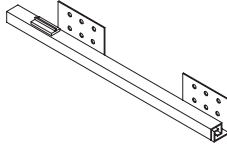


# LOW DRAWER KIT

Instructions for SKUs: 478-3800, 478-3804, 478-3808



## KIT INCLUDES:

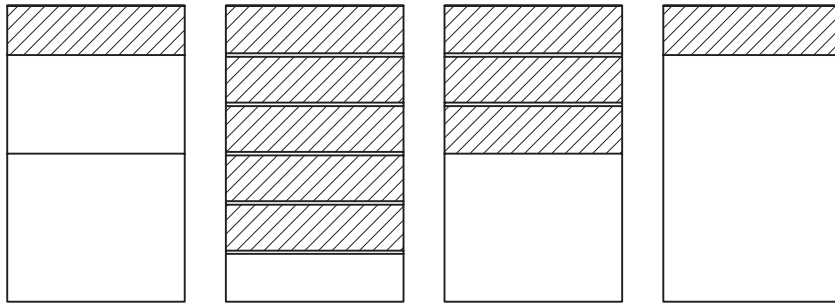
 <p>Shallow drawer box x 1</p>	 <p>1/4" x 1/2" Euro screw x10 478-9835</p>	 <p>3/16" x 1-3/16" Long screw x1 478-9832</p>
 <p>Bracket A x2 478-9804</p>	 <p>Bracket B x2 478-9805</p>	 <p>Left glide x1 478-9806</p>
 <p>Bumper x1 478-9833</p>	 <p>Drawer box cover cap x2 478-9830</p>	 <p>Right glide x1 478-9807</p>

**KLĚARVŮE®**  
**CABINETY**

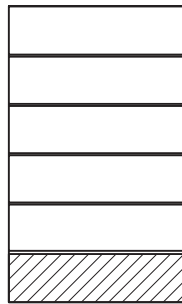
To find all KlĚarvŭe Cabinetry® installation instructions and installation videos, visit [www.klearvuecabinetry.com](http://www.klearvuecabinetry.com).

**Important: Please read before you begin your drawer installation.  
Take note of your cabinet configuration.**

- If your configuration features a low drawer kit in one of the locations shaded below, the drawer front will be attached using **bracket B**.



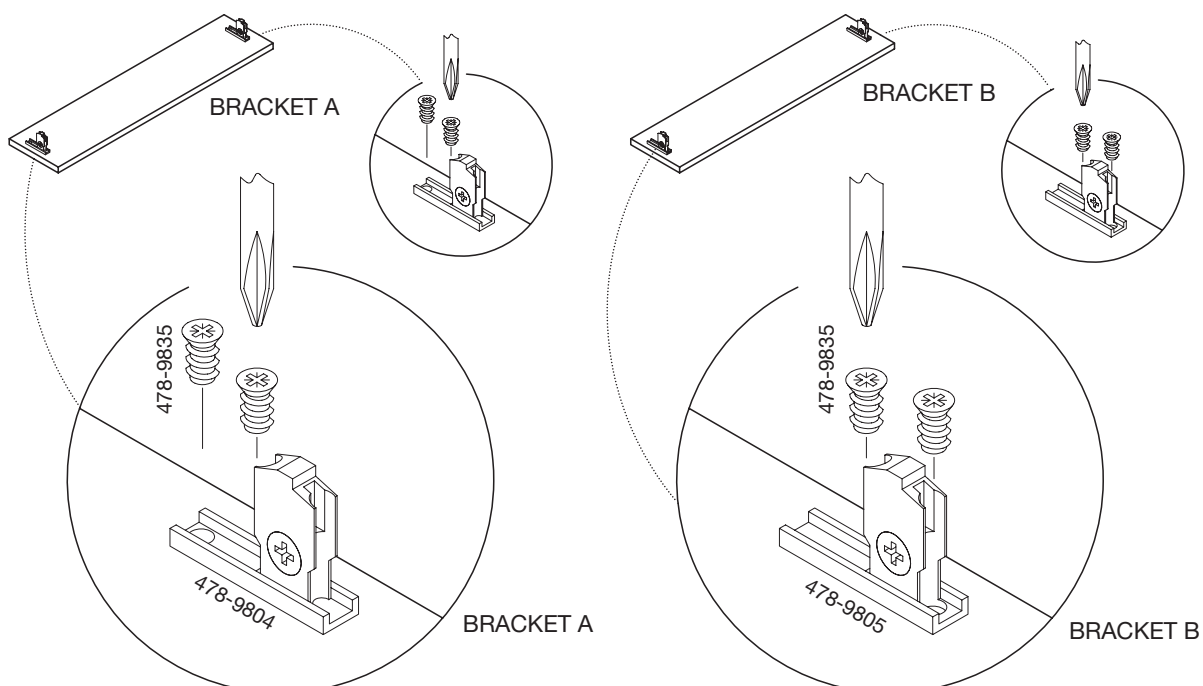
- If your configuration features a low drawer kit in the location shaded below, the drawer front will be attached using **bracket A**.
- All interior drawers will be attached using **bracket A** regardless of drawer location. See page 5 for interior drawer installation.



## STANDARD DRAWER INSTALLATION

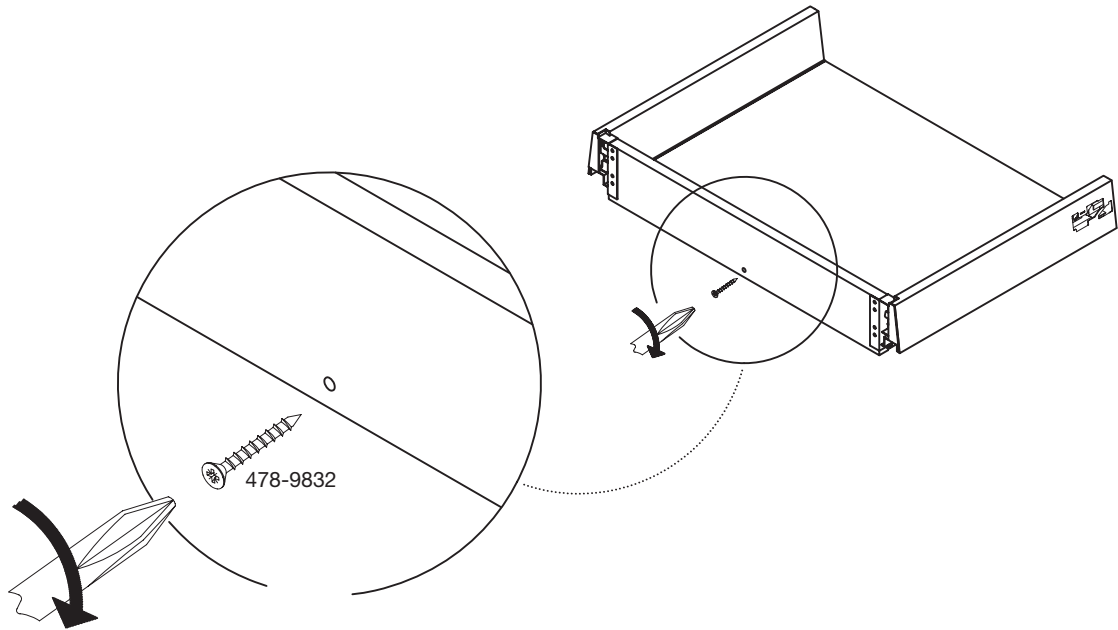
### STEP 1:

- Install bracket A or B (478-9804/478-9805) to the back of the drawer front.
- Line up the holes on the brackets with the pre-drilled holes on the drawer front and secure with the euro screws (478-9835). The 5" drawer fronts used with low drawer kits are symmetrical and do not have a designated "right side up" when screwing in the brackets.



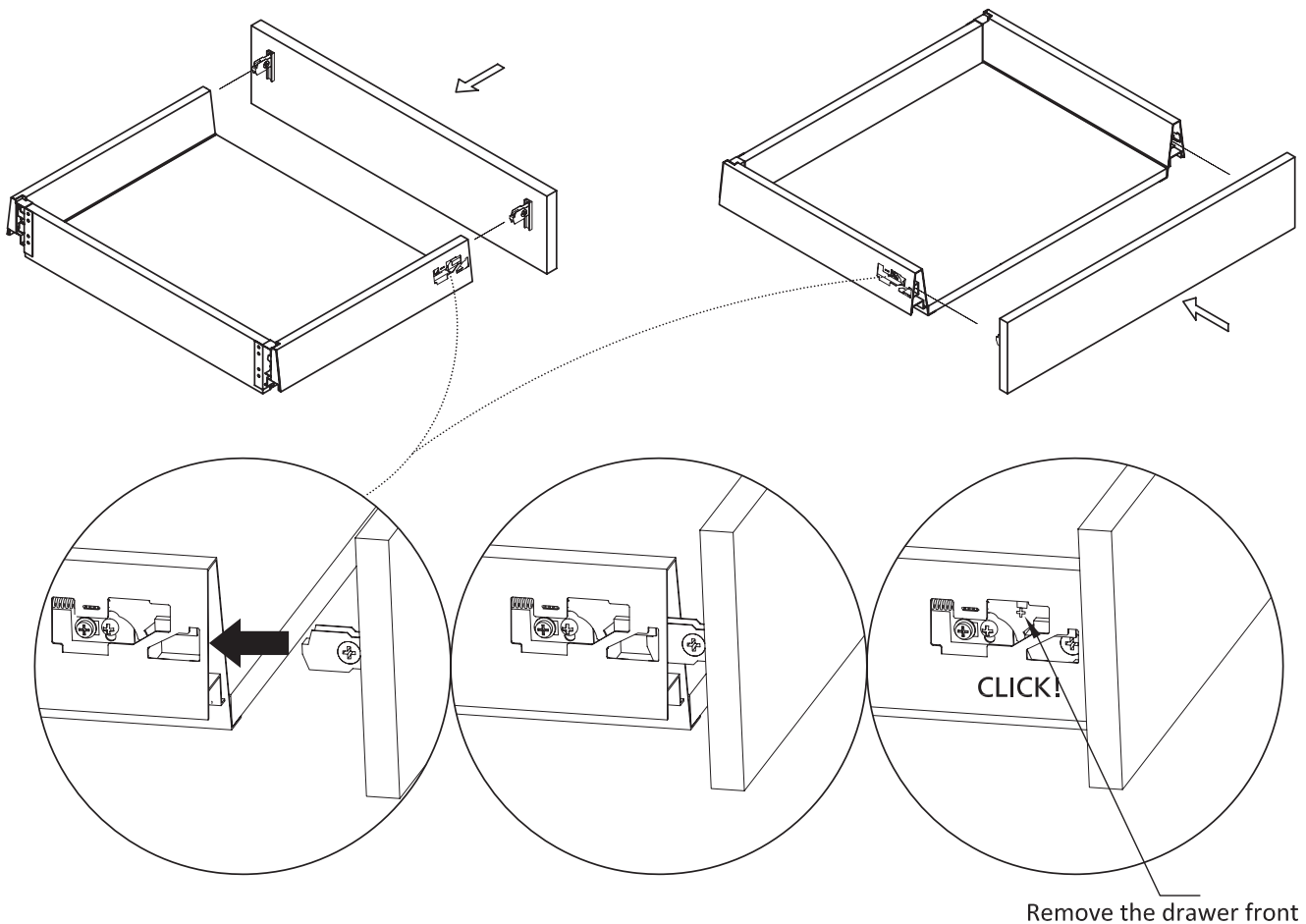
**STEP 2:**

- Install the long screw (478-9832) through the back of the drawer box into the drawer bottom. This helps to add stability to your drawer kit.



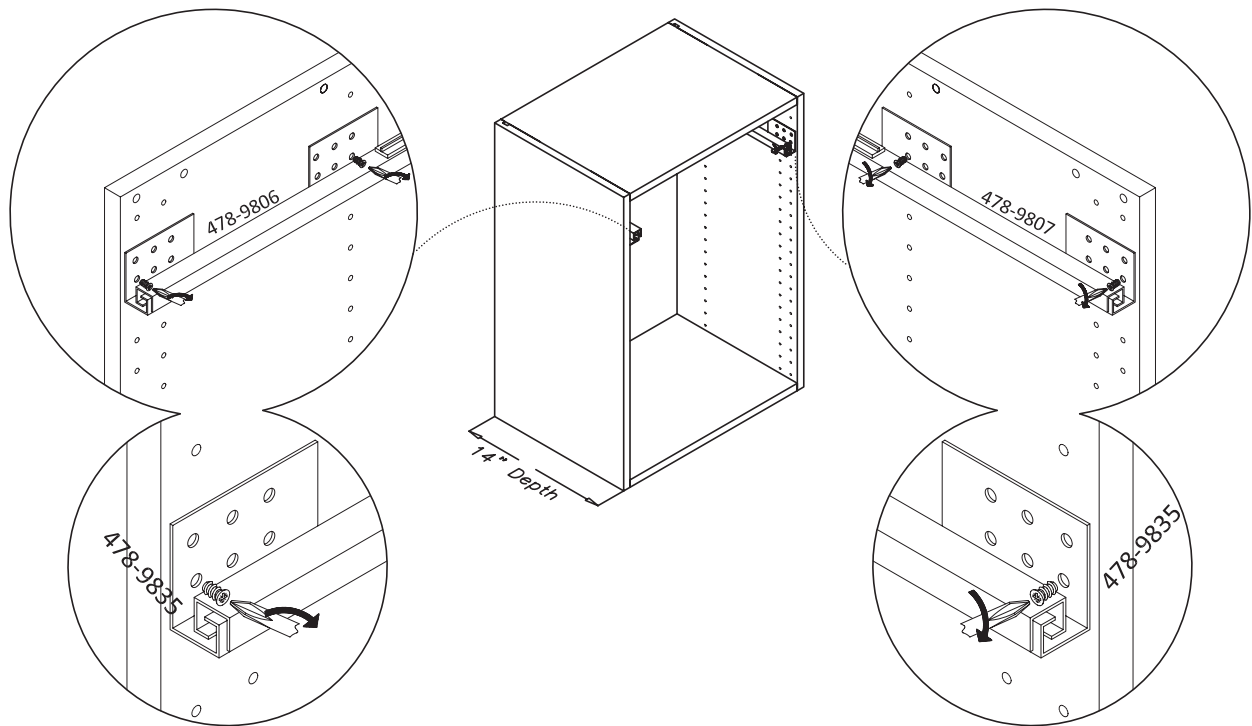
**STEP 3:**

- Attach the drawer front to the drawer box by lining up the brackets with the slots in the drawer box. Push until you hear a “click” on both the left and right side. If the drawer front does not “click” into place, verify that the spring loaded latch is in the open position by placing a Phillips screwdriver into the drawer removal hole and turning towards the back of the drawer. See page 6 for drawer front removal.

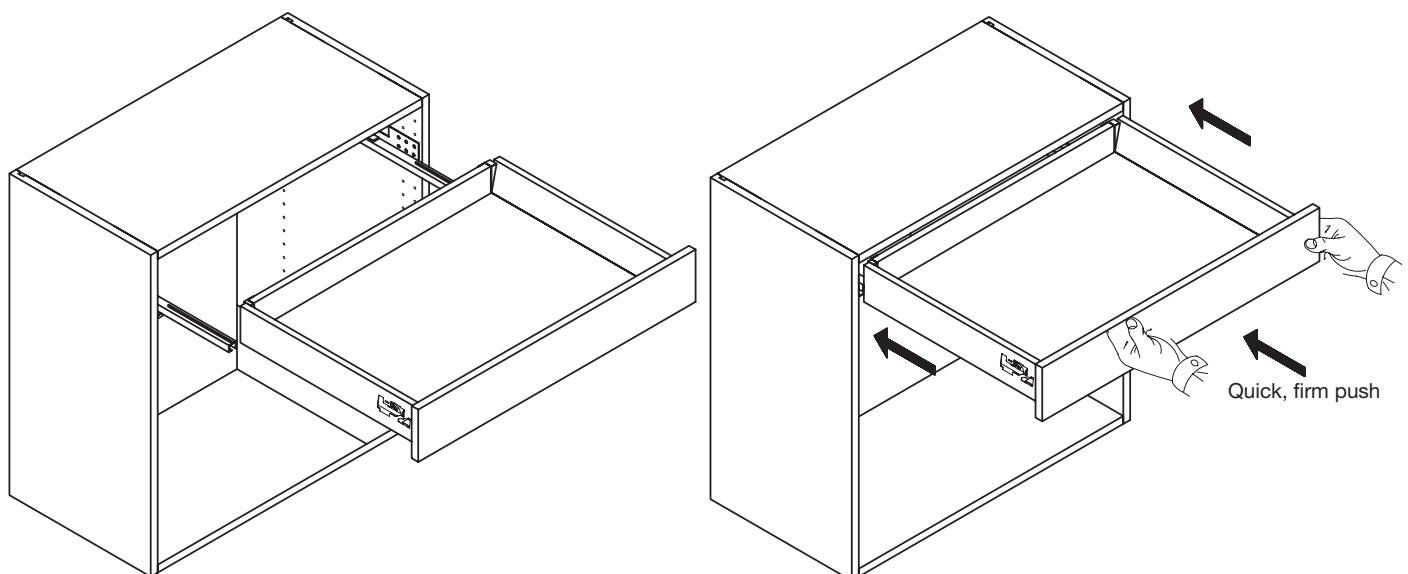


**STEP 4:**

- For the installation location of the drawer glides, reference the “Drawer Configuration Guide” that was packaged with your drawer kit.
- Line up the holes of the glides (478-9806/478-9807) with the holes in the cabinet box and secure with the euro screws (478-9835).
- The drawer glides should be marked left (L) and right (R).

**STEP 5:**

- To install the drawer box, begin by fully extending both left and right drawer glides.
- Set the drawer box down onto the glides, covering as much of the drawer glide as possible. The drawer box should be able to support itself on the drawer glides when you let go.
- Quickly and firmly push the drawer into the cabinet box. You should hear a “click” noise as this action will automatically attach the drawer box to the glides. If the drawer box does not “click”, repeat Step 5. You may not have pushed the drawer glides hard enough.
- Drawer kits are rated to hold 70 lbs. of weight.

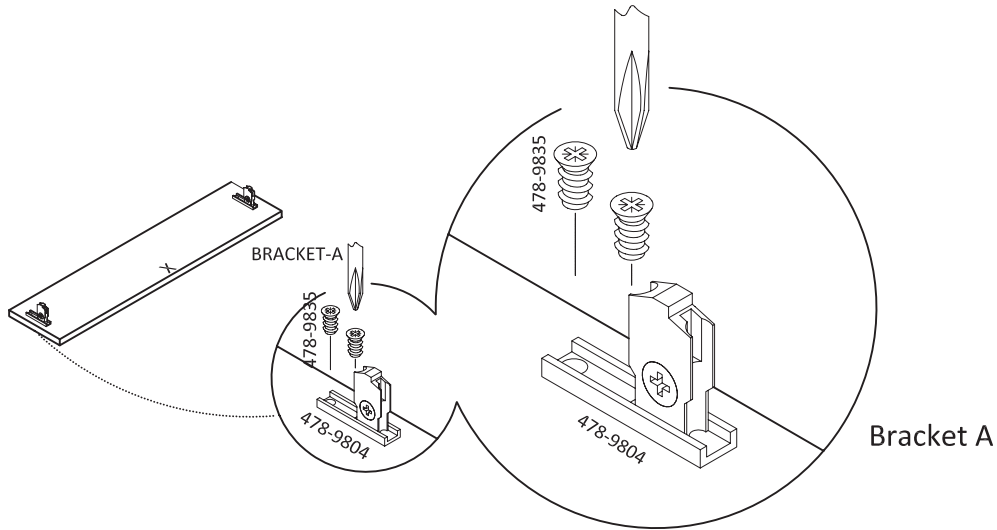


## INTERIOR DRAWER INSTALLATION

Interior drawers follow the same steps as a standard drawer, with some minor modifications.

### STEP 1:

- Install bracket A (478-9804) to the back of the drawer front. Be sure that the tab of the bracket with two holes is facing toward the bottom of the drawer front, as pictured below.
- Line up the holes on the brackets with the pre-drilled holes on the interior drawer front and secure with the euro screws (478-9835).

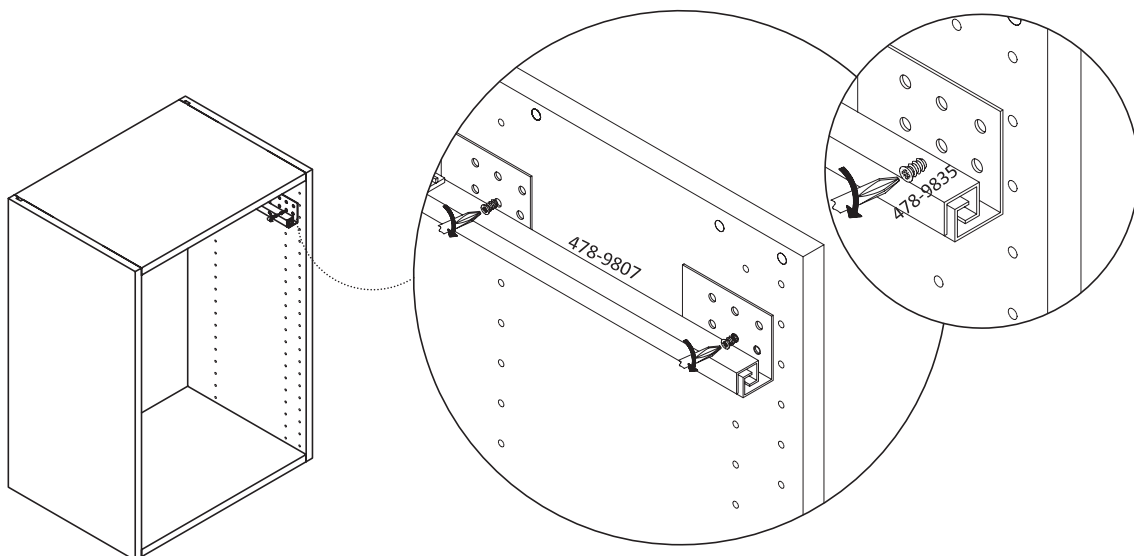


### STEP 2:

- Follow STANDARD DRAWER INSTALLATION Steps 2-3 to assemble your interior drawer box.

### STEP 3:

- For the installation location of the drawer glides, reference the “Drawer Configuration Guide” that was packaged with your drawer kit.
- Line up the holes of the glide (478-9806/478-9807) with the holes in the cabinet box. For interior drawers, the glides are set back behind the first set of pre-drilled holes in the cabinet box.



### STEP 4:

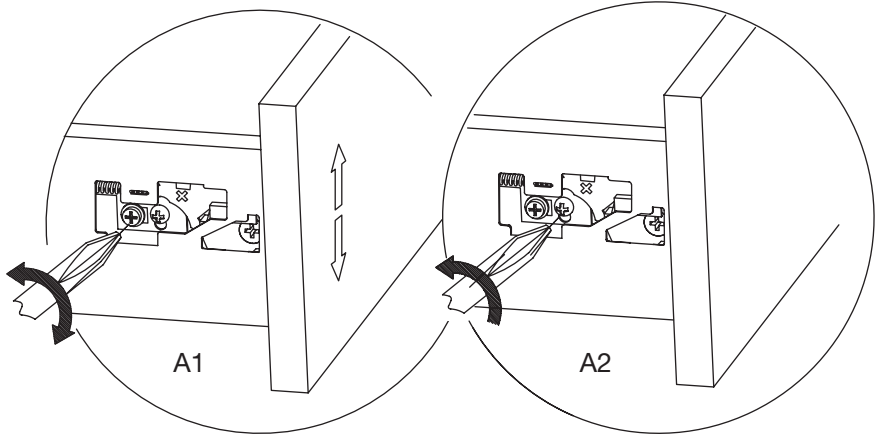
- Follow STANDARD DRAWER INSTALLATION Step 5 to install the drawer into the cabinet box.
- If done correctly, the interior drawer front should be flush with the face of your cabinet box. If not, make sure the holes are lined up per INTERIOR DRAWER INSTALLATION Step 3.

# DRAWER ADJUSTMENT AND REMOVAL

## ADJUSTMENT:

- A1) Turn the metal adjustment screw to adjust the drawer front up and down.
- A2) If the drawer is not adjusting in position, turn the right screw to unlock the hinge and retry step A1.
- B) Adjusting your drawer fronts to the left and right can be a little tricky. To make adjustments, you will adjust the white adjustment screw inward and outward of your drawer kit by using a Phillips screwdriver. Protrude both adjustment screws to the right to force the drawer front to move to the left. Protrude both adjustment screws to the left to force the drawer front to move to the right.

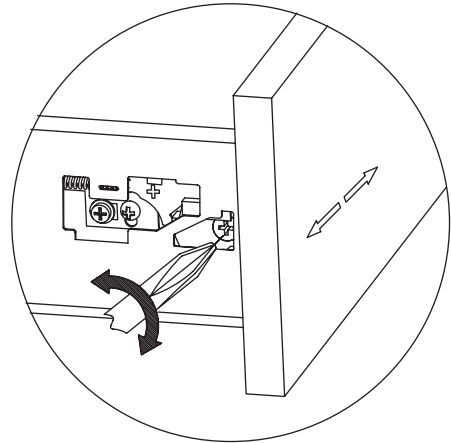
A1 & A2-up/down adjustment



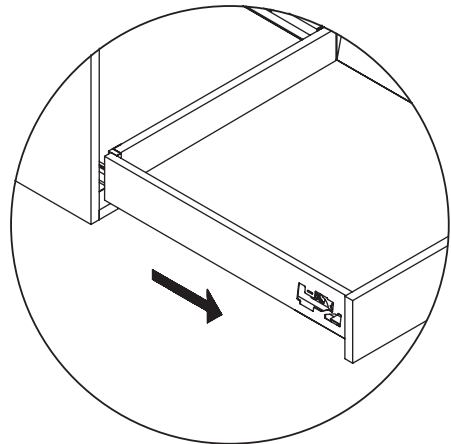
## REMOVAL:

- C) To release the drawer box from the drawer glides, begin by placing your hands under the center of the drawer front. Be careful not to place hands under the drawer glides. From the closed position, use gentle force to extend the drawer completely out and then lift upwards in one fluid motion.
- D) To remove the drawer front, use a Phillips screwdriver into the hollowed-out location (looks like a + symbol) and rotate towards the back of the drawer box until the bracket is released. Repeat on both left and right sides of the drawer. Note: If the white screw on the mounting bracket has been adjusted and is protruding out, you may need to un-adjust the screw to remove or re-install the drawer front.

B-left/right adjustment



C- release the drawer box from the glides



D- remove the drawer front

