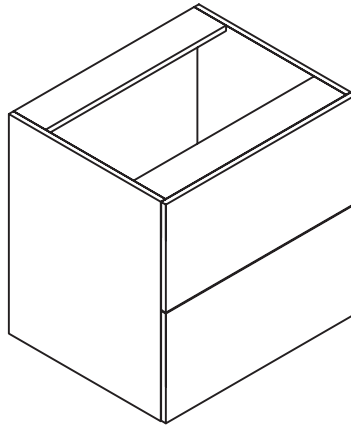
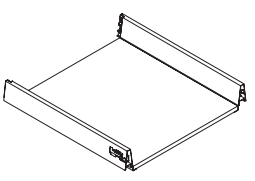
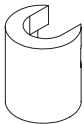

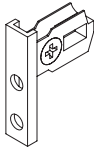
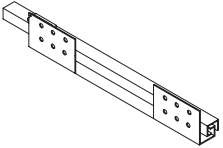
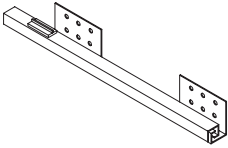
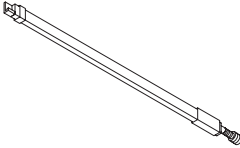
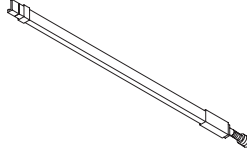

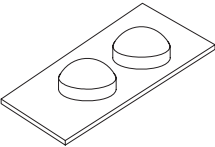
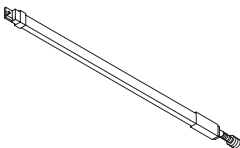
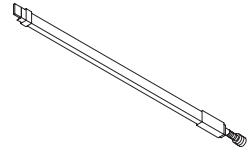
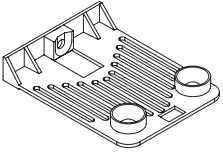
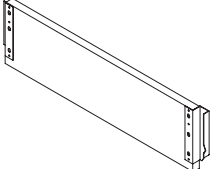




HIGH DRAWER KIT

Instructions for SKUs: 478-3826, 478-3828, 478-3830, 478-3832,
478-3834, 478-3836



KIT INCLUDES:

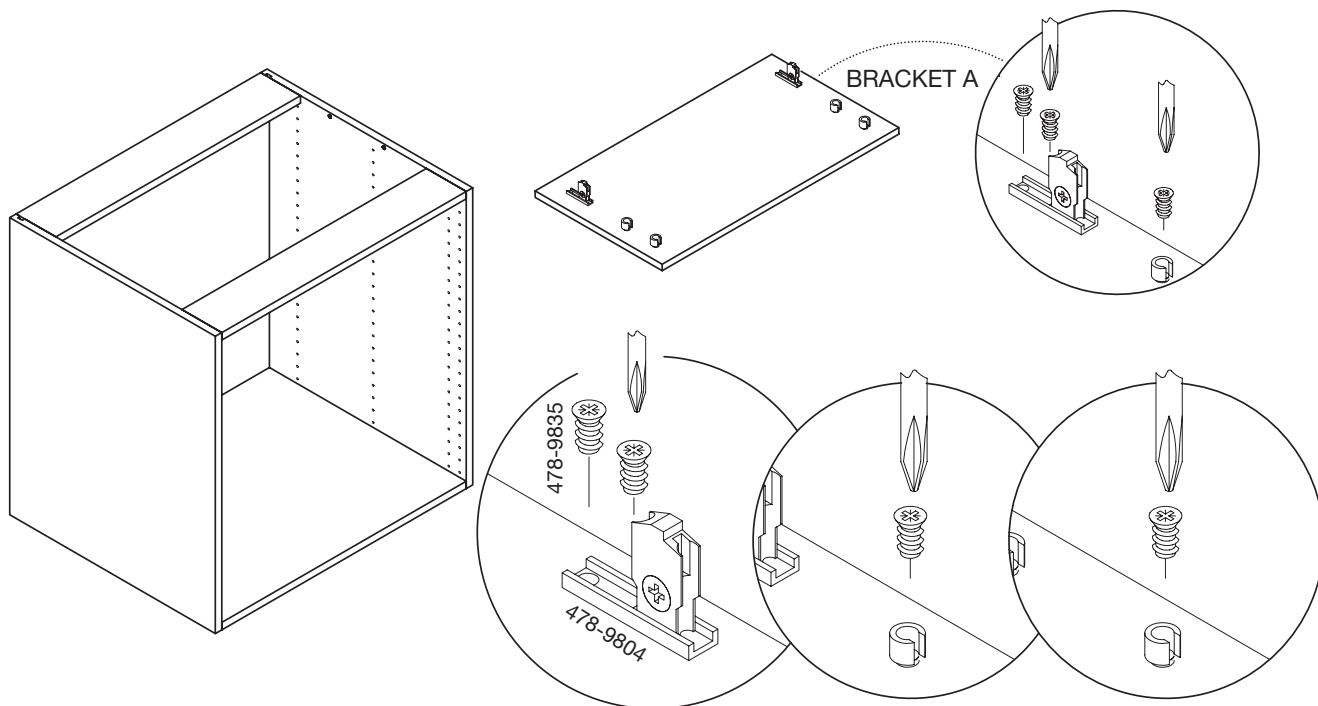
 <p>Drawer box x1</p>	 <p>Rail adapter x4 478-9829</p>	 <p>1/4" x 1/2" Euro screw x14 478-9835</p>	 <p>Bracket A x2 478-9804</p>
 <p>Left glide x1 478-9810</p>	 <p>Right glide x1 478-9811</p>	 <p>Left top rail x1 478-9824</p>	 <p>Right top rail x1 478-9825</p>
 <p>Drawer box cover cap x2 478-9830</p>	 <p>Bumper x2 478-9833</p>	 <p>Left mid rail x1 478-9822</p>	 <p>Right mid rail x1 478-9823</p>
 <p>Drawer support bracket x1 478-9831</p>	 <p>Drawer back x1</p>	 <p>3/16" x 1-3/16" Long screw x1 478-9832</p>	 <p>3/16" x 5/8" Short screw x3 478-9803</p>

KLĀRVŪE®
CABINETY

To find all Klēarvūe Cabinetry® installation instructions and installation videos, visit www.klearvuecabinetry.com.

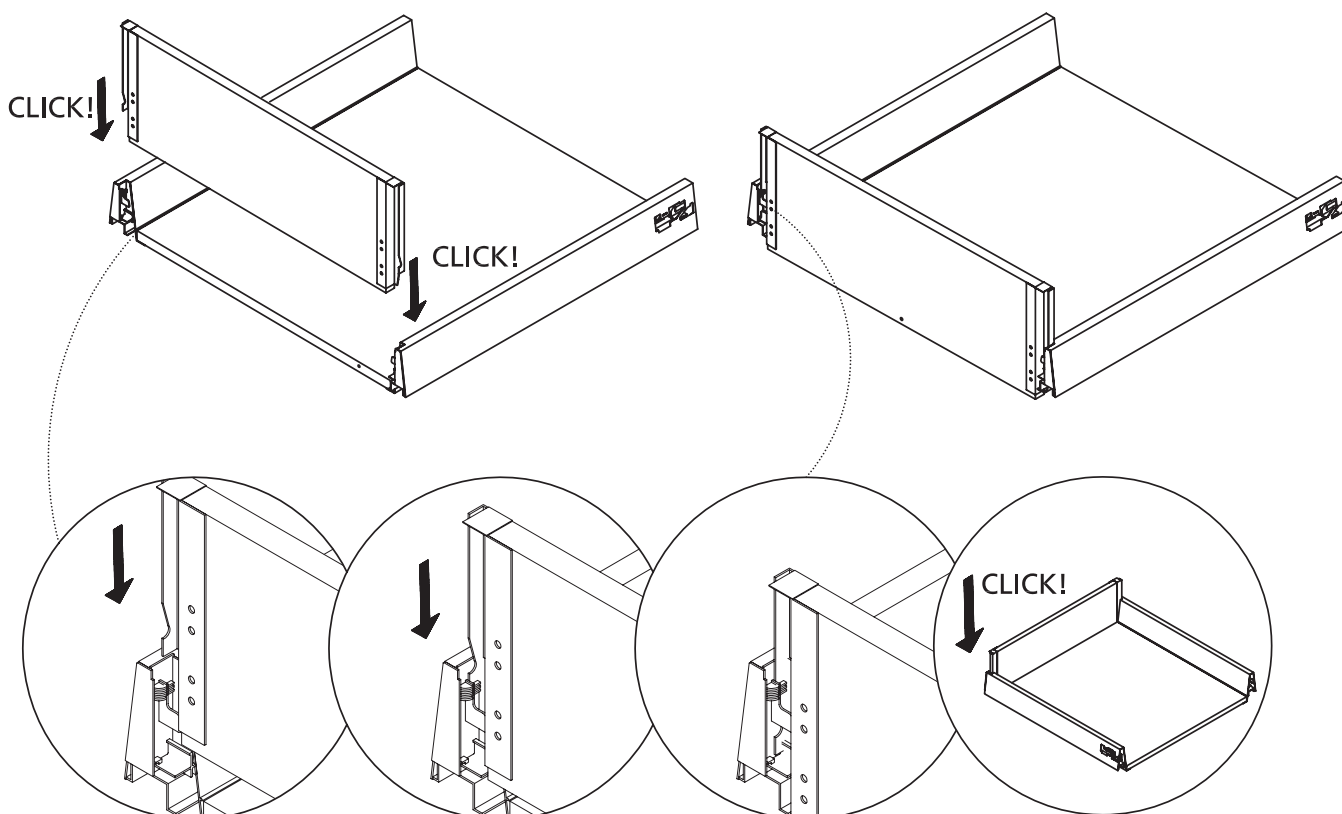
STEP 1:

- Install bracket A (478-9804) to the back of the drawer front. Be sure that the tab of the bracket with the two holes is facing toward the bottom of the drawer front, as pictured below.
- Line up the holes on the bracket with the pre-drilled holes on the drawer front and secure with the euro screws (478-9835) as shown in the illustration.
- Using the euro screw (478-9835) secure the rail adapter (478-9829) to the drawer front. Ensure the opening in the rail adapter is facing toward the top of the drawer front as shown in the illustration.



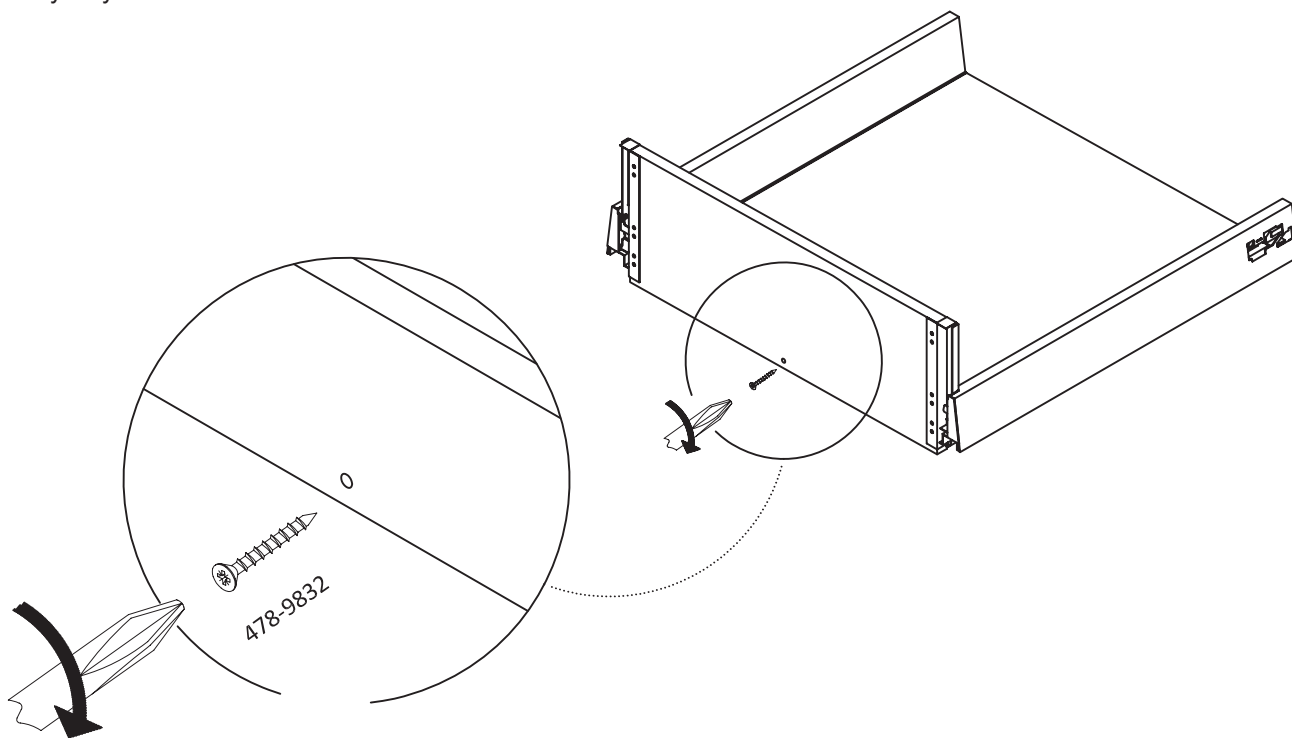
STEP 2:

- Slide the drawer back into the slot at the back of the drawer until you hear a “click” on the left and right sides. You may find that you need to push the metal drawer sides out to fit the back in square.



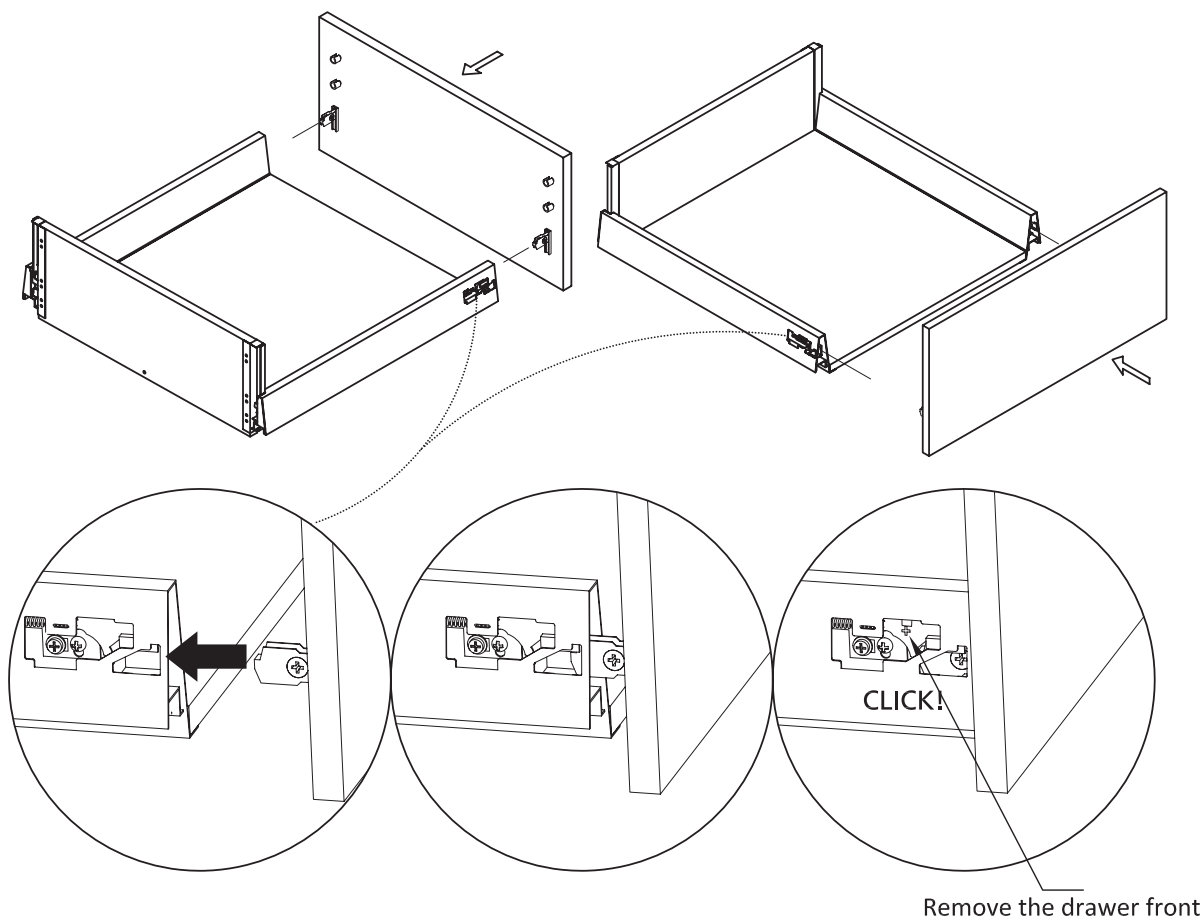
STEP 3:

- Install the long screw (478-9832) through the back of the drawer box into the drawer bottom. This helps to add stability to your drawer kit.



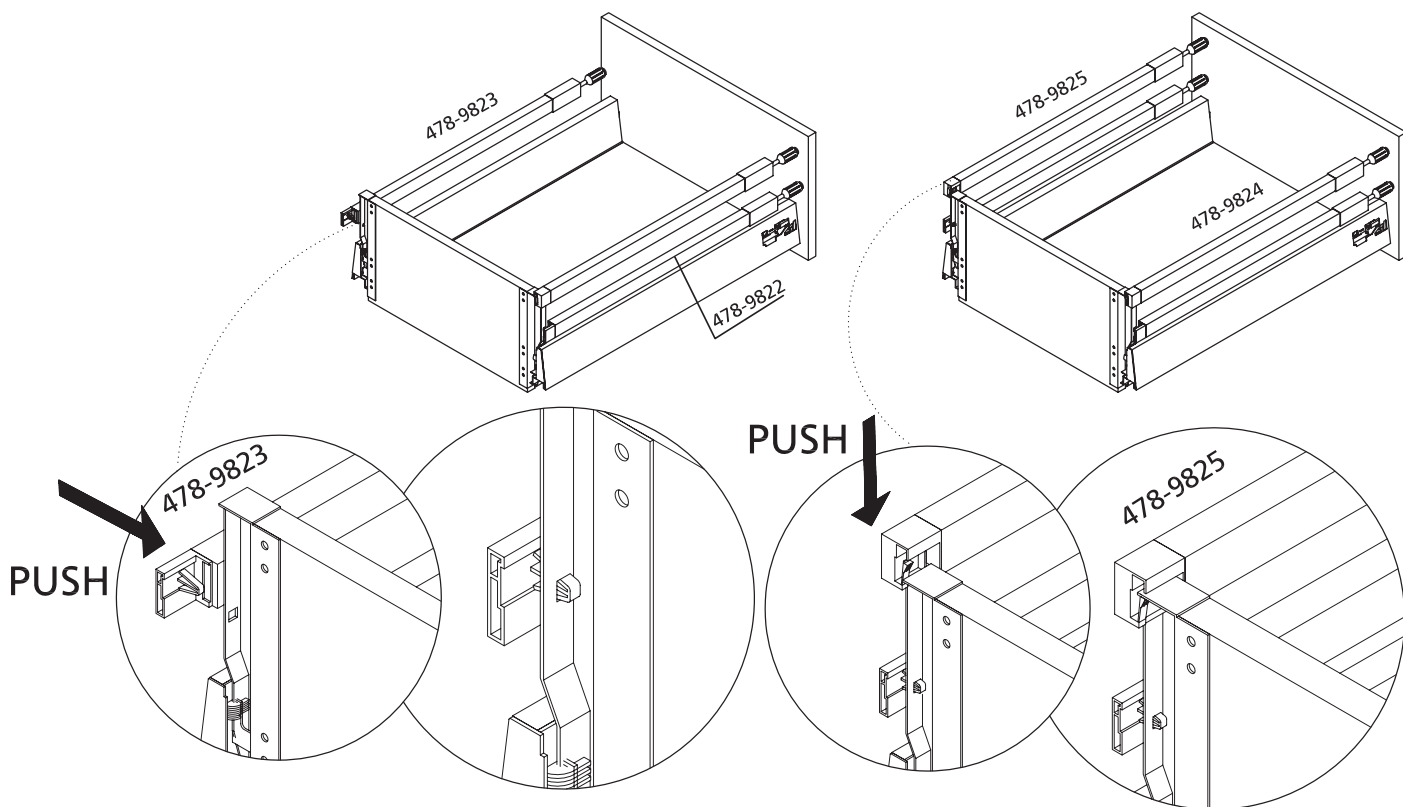
STEP 4:

- Attach the drawer front to the drawer box by lining up the brackets with the slots in the drawer box. Push until you hear a “click” on both the left and right side. If the drawer front does not “click” into place, verify that the spring loaded latch is in the open position by placing a Phillips screwdriver into the drawer removal hole and turning towards the back of the drawer. See page 7 for drawer front removal.



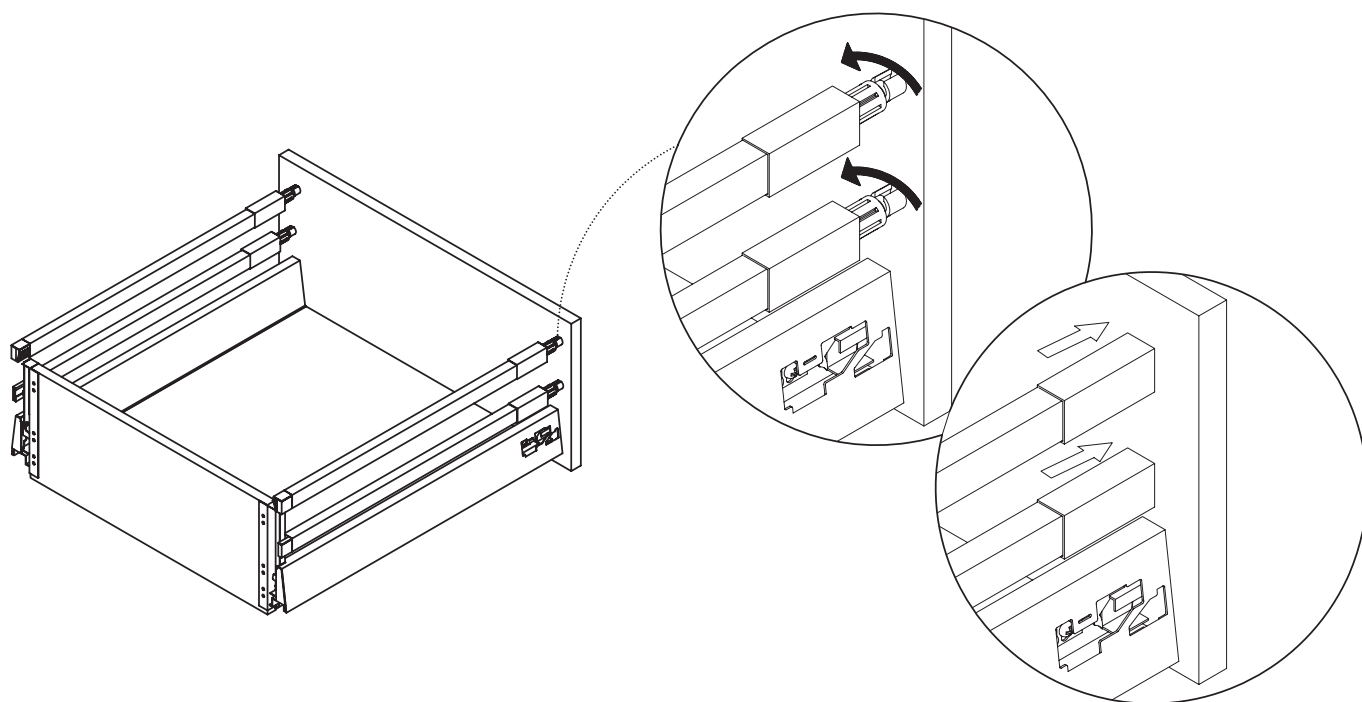
STEP 5:

- Line up the back of the bottom side rail (478-9822/478-9823) with the back of the drawer box, to couple the side rail and the drawer together, and push in towards the drawer as shown in the illustration. Next, line up the top side rail (478-9824/478-9825) with the back of the drawer and push into place.



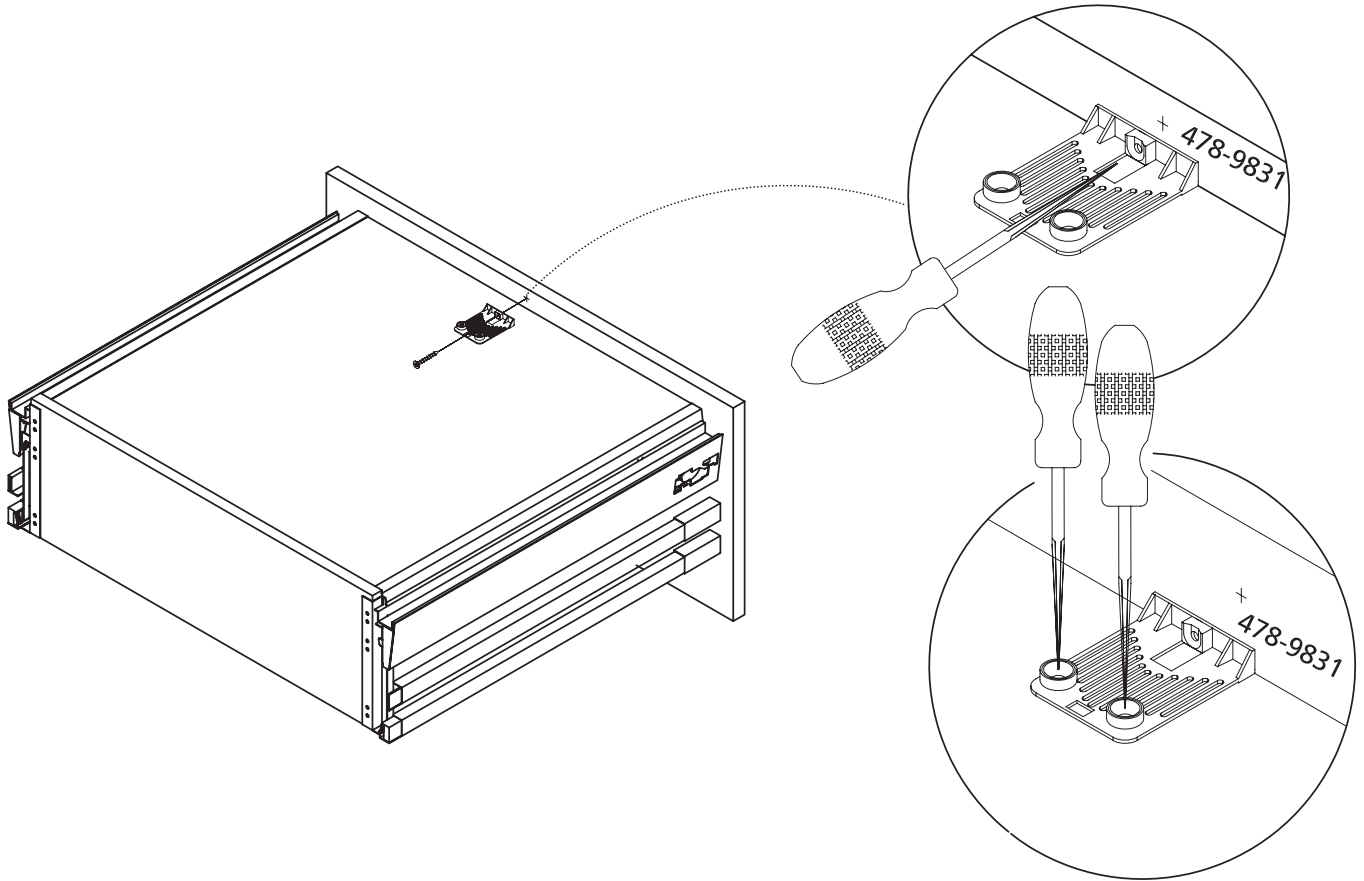
STEP 6:

- Insert the cylinder end of the side rail into the opening of the rail adapter. If the cylinder does not perfectly line up with the opening of the rail adapter, you can adjust how far the cylinder protrudes by rotating it with your finger. Slide the square cover towards the drawer front to hide the cylinder and rail adapter.
- If the cylinder is too tight to rotate, remove the square cover to allow a better grip.



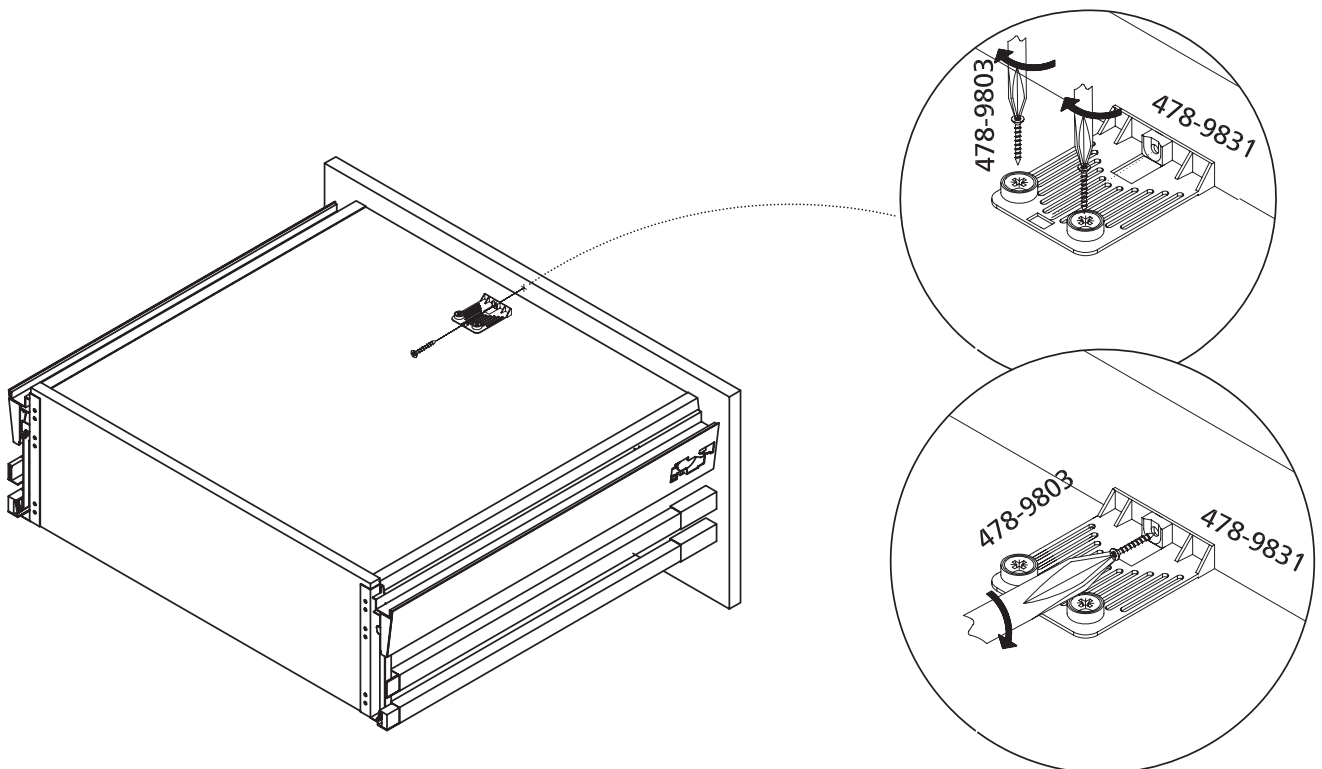
STEP 7:

- Turn the drawer box upside down and mark the center of the drawer front.
- Use a center punch to make an indent within the three moulded holes on the bracket as shown in the illustration.



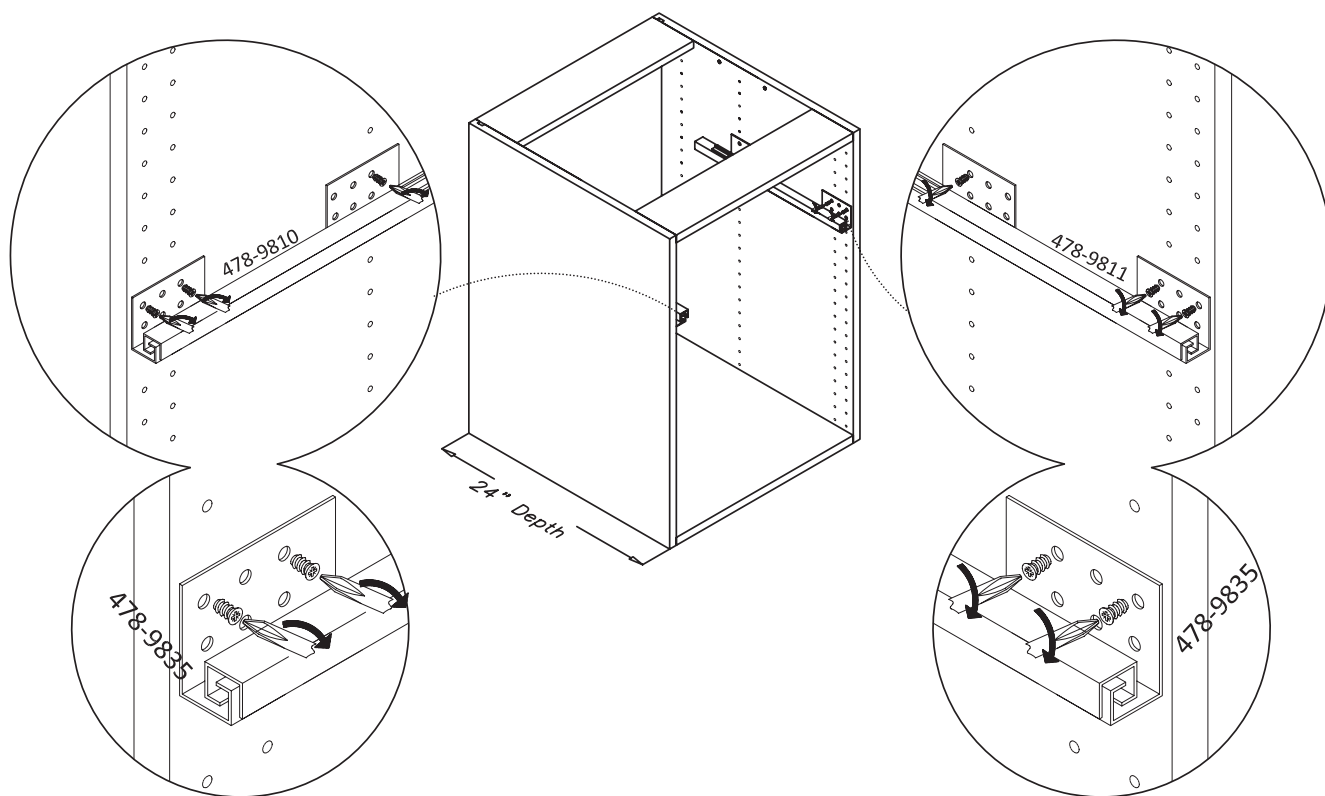
STEP 8:

- Use a Phillips screwdriver and the three short screws (478-9803) to fasten the bracket to the drawer bottom.



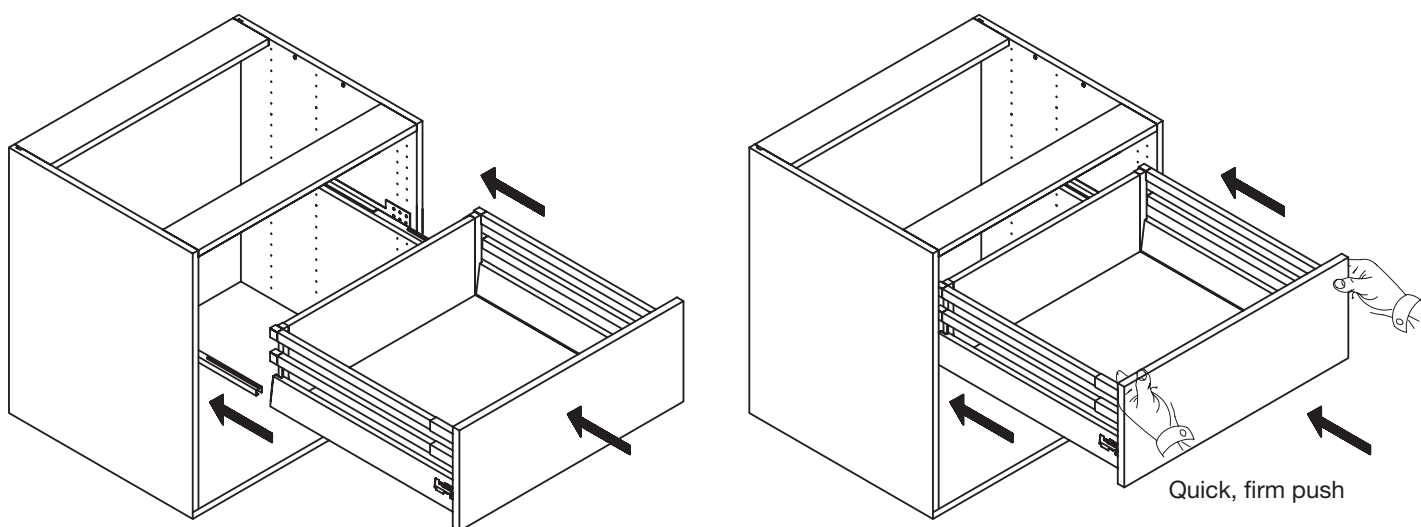
STEP 9:

- For the installation location of the drawer glides, reference the “Drawer Configuration Guide”.
- Line up the holes of the glide (478-9810/478-9811) with the holes in the cabinet box and secure with the euro screws (478-9835).



STEP 10:

- Fully extend both the left and right drawer glide.
- Align and set the drawer box onto the glides. The drawer box should be able to support itself.
- Quickly and firmly push the drawer into the cabinet box. You should hear a “click” noise as this action will automatically attach the drawer box to the glides. If the drawer box does not “click”, repeat Step 10. You may not have pushed the drawer glides hard enough.
- Drawer kits are rated to hold 70 lbs. of weight.

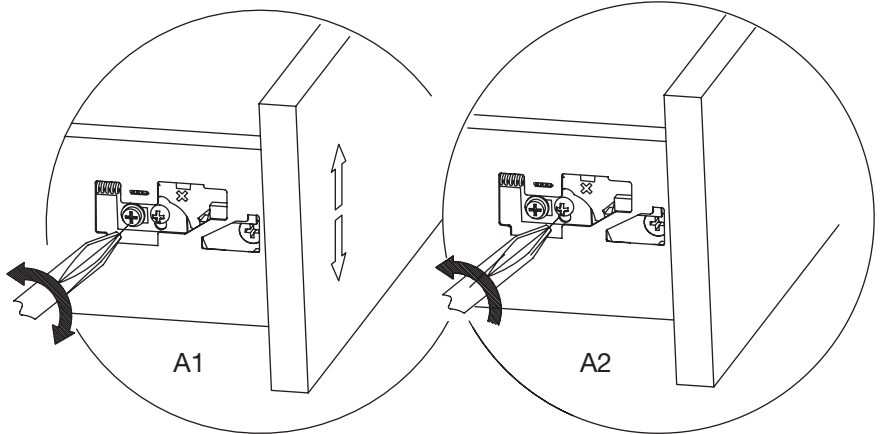


DRAWER ADJUSTMENT AND REMOVAL

ADJUSTMENT:

- A1) Turn the metal adjustment screw to adjust the drawer front up and down.
- A2) If the drawer is not adjusting in position, turn the right screw to unlock the hinge and retry step A1.
- B) Adjusting your drawer fronts to the left and right can be a little tricky. To make adjustments, you will adjust the white adjustment screw inward and outward of your drawer kit by using a Phillips screwdriver. Protrude both adjustment screws to the right to force the drawer front to move to the left. Protrude both adjustment screws to the left to force the drawer front to move to the right.

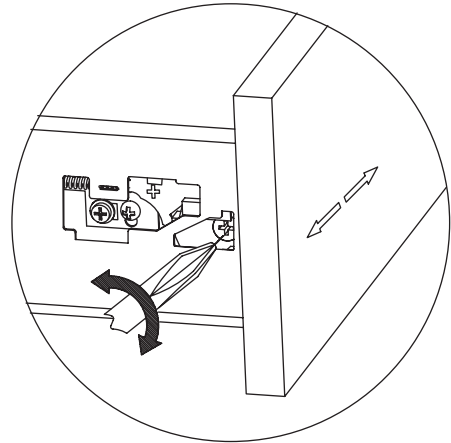
A1 & A2-up/down adjustment



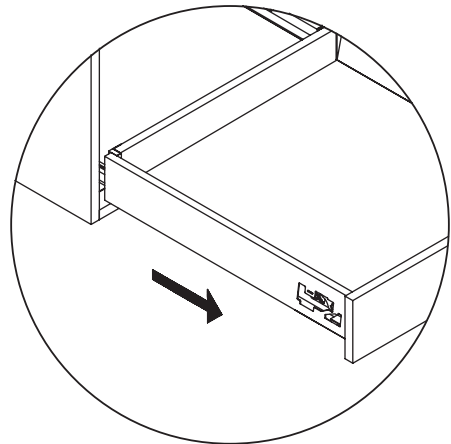
REMOVAL:

- C) To release the drawer box from the drawer glides, begin by placing your hands under the center of the drawer front. Be careful not to place hands under the drawer glides. From the closed position, use gentle force to extend the drawer completely out and then lift upwards in one fluid motion.
- D) To remove the drawer front, use a Phillips screwdriver into the hollowed-out location (looks like a + symbol) and rotate towards the back of the drawer box until the bracket is released. Repeat on both left and right sides of the drawer. Note: If the white screw on the mounting bracket has been adjusted and is protruding out, you may need to un-adjust the screw to remove or re-install the drawer front.

B-left/right adjustment



C- release the drawer box from the glides



D- remove the drawer front

