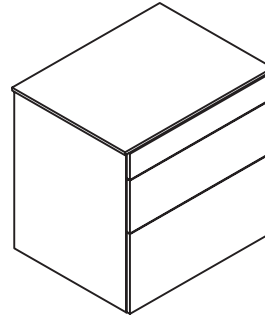


Drawer Configuration Installation Guide

! IMPORTANT: Please read before you begin your drawer installation. The pages in this guide show you how to assemble the different drawer layouts available for Klëarvūe Cabinetry®. Look through the pages until you see the steps representing the configuration needed to assemble.

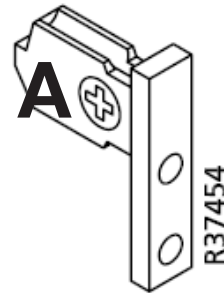
1. Klëarvūe Cabinetry® offers three sizes of drawer kits called “Low”, “Medium” and “High” drawer kits. The matching drawer fronts are available in 5 inch heights so they may be put into the configured into the cabinet box, in any combination. You can also change them around in the future, should you decide you want a different drawer configuration.



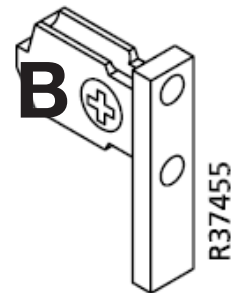
- A:** Low (5”H) Drawer Kit
- B:** Medium (10”H) Drawer Kit
- C:** High (15”H) Drawer Kit

2. There are two types of brackets used to mount your drawer front to the drawer kit, **Bracket A** or **Bracket B**. These align the drawer fronts at different heights so they overlap the top and bottom edge of the cabinet box.

If you purchased a low drawer kit, you will receive **Bracket A** and **Bracket B** in your kit. If you purchase a medium or high drawer kit, you will receive **Bracket A**. The pages in this guide will tell you if you should be installing using Bracket A or Bracket B for your configuration.



BRACKET-A



BRACKET-B

3. The diagrams on the following pages will tell which holes to use to install the drawer glide, and which bracket to use. Pay attention to which holes are being used on the cabinet box, and also which hole is being used on the drawer glide. Drawers toward the bottom of a cabinet use different installation holes than drawers placed at the top of a cabinet.

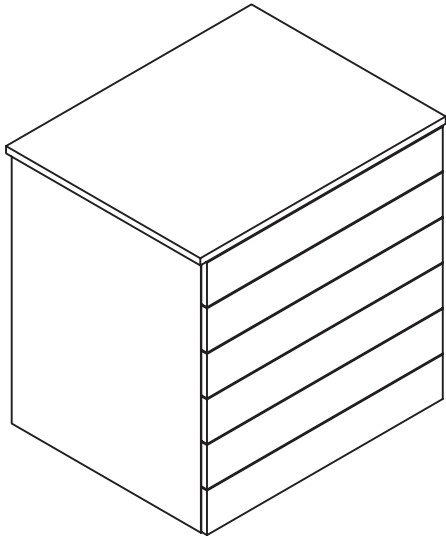
Configuration Drawing	Holes to Use	Drawer Kit Type	Drawer Front Bracket to Use
		LOW	B
		MEDIUM	A
		HIGH	A


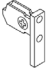
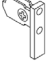
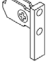
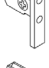


For all drawer configurations:

Line up the punch holes in the drawer glides with the specified pre-drilled holes in the cabinet, as shown in the illustrations. Fasten the glides to the box with the provided screws.

1. Installing drawer kits in a 6-drawer cabinet.

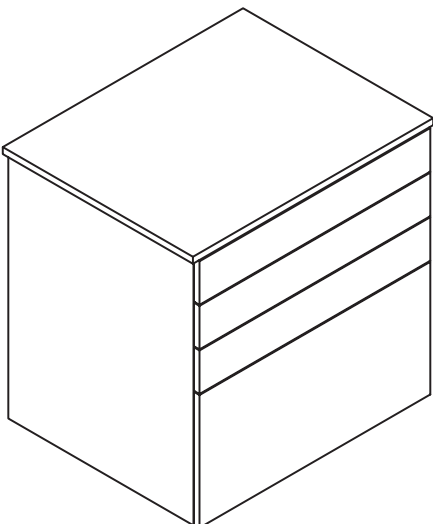
For this configuration, use all low drawer kits.







Holes Used for Installation	Drawer Kit Type	Drawer Front Bracket
1-2	LOW	 B
4-6	LOW	 B
8-10	LOW	 B
12-14	LOW	 B
16-18	LOW	 B
20-21	LOW	 B
23	LOW	 A

2. Installing drawer kits in a 4-drawer cabinet.

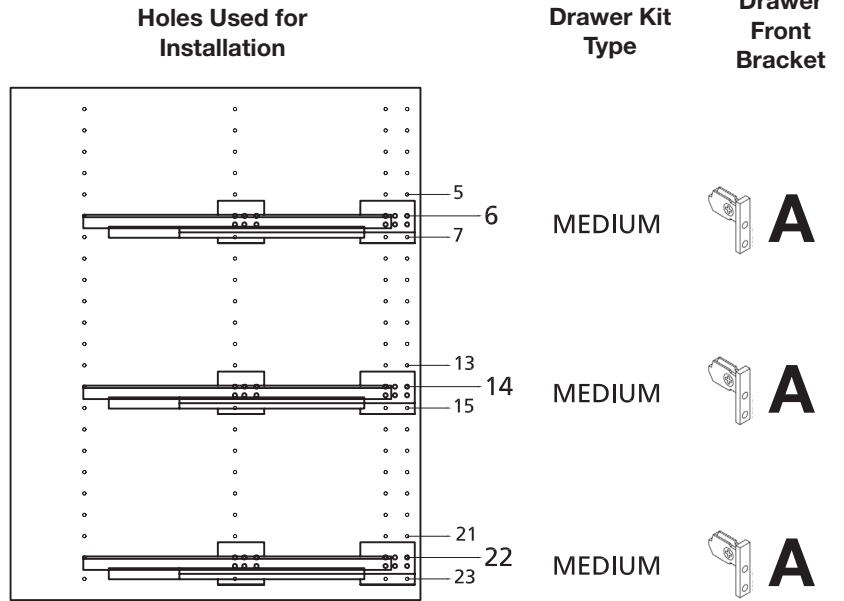
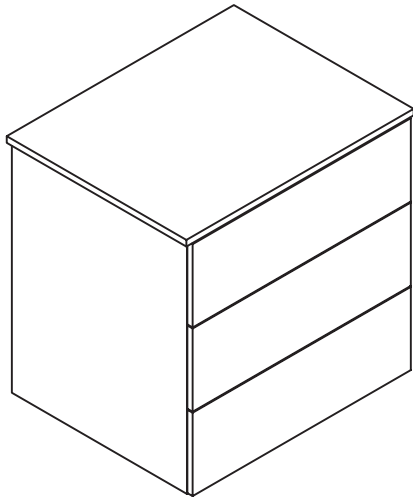
For this configuration, use 3 low drawer kits for the top portion and 1 high drawer kit for the bottom portion.



Holes Used for Installation	Drawer Kit Type	Drawer Front Bracket
1-2	LOW	 B
4-6	LOW	 B
8-10	LOW	 B
12		
21-22	HIGH	 A

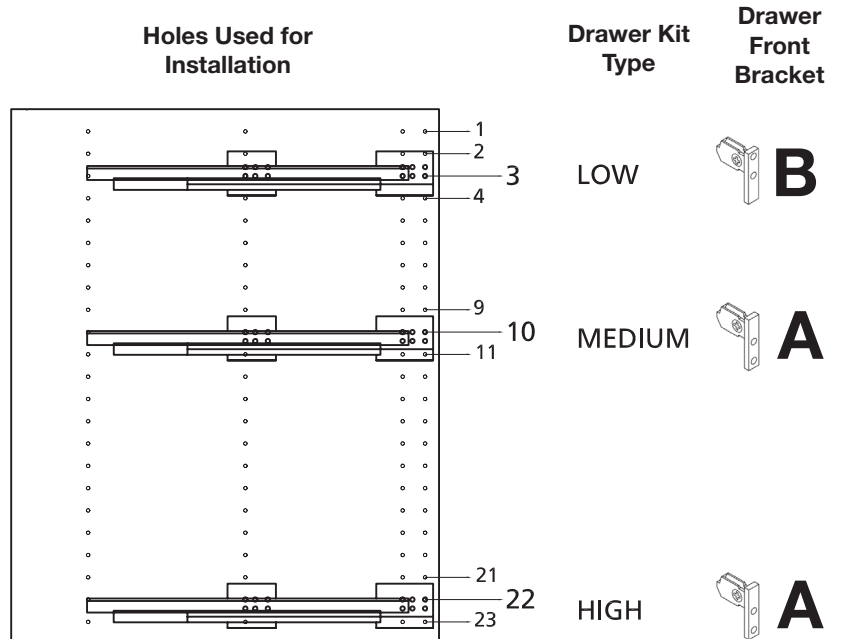
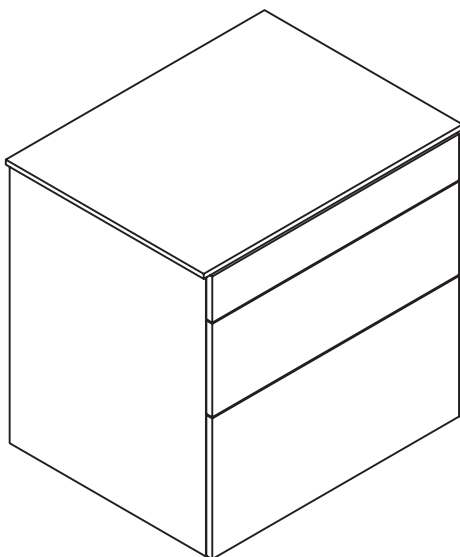
3. Installing drawer kits in a 3-drawer cabinet.

For this configuration, use all medium drawer kits.



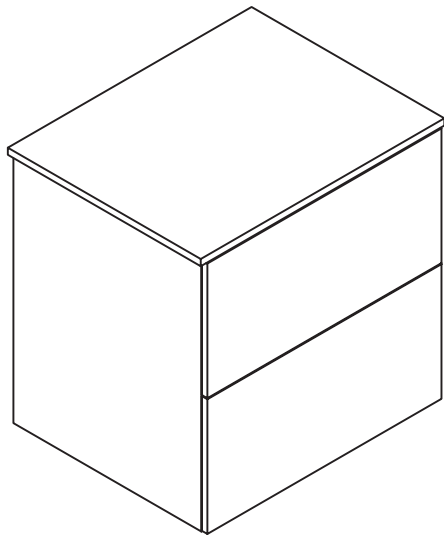
4. Installing drawer kits in a 3-drawer cabinet.

For this configuration, use 1 low drawer kit, 1 medium drawer kit and 1 high drawer kit.

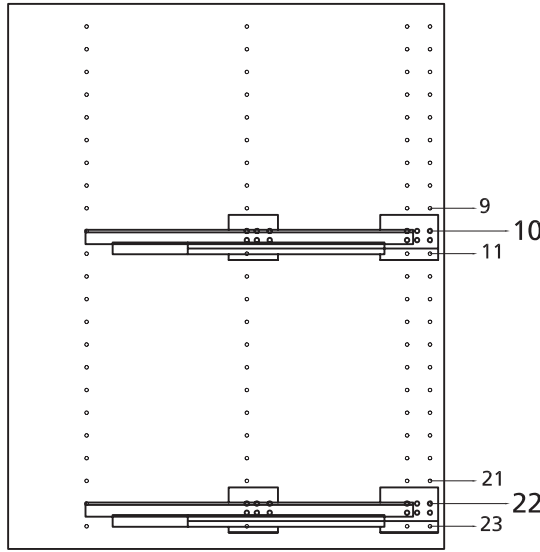


5. Installing drawer kits in a 2-drawer cabinet.

For this configuration, use all high drawer kits.



Holes Used for Installation



Drawer Kit Type

Drawer Front Bracket

HIGH



A

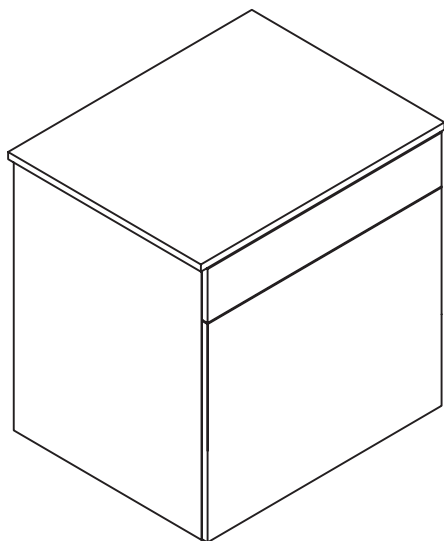
HIGH



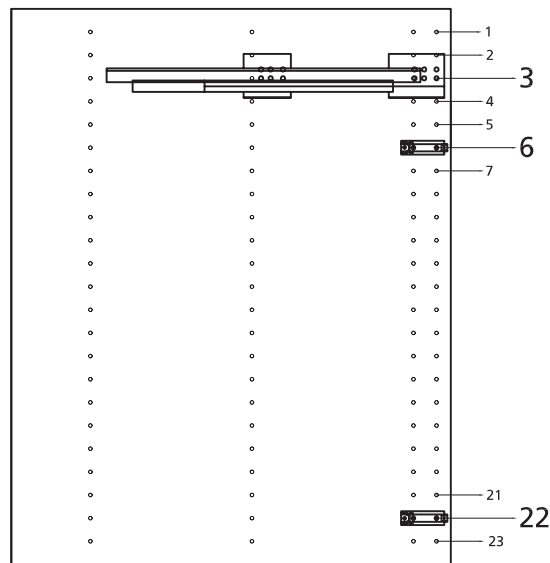
A

6. Installing a drawer kit in a 1-drawer and 1-door cabinet.

For this configuration, use 1 low drawer kit.



Holes Used for Installation



Drawer Kit Type

Drawer Front Bracket

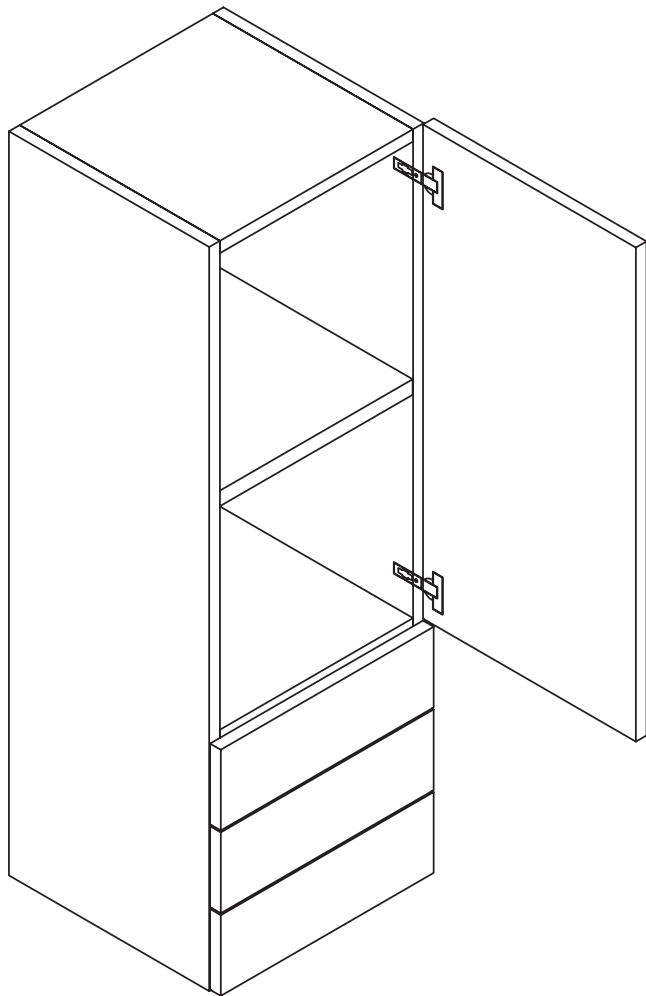
LOW



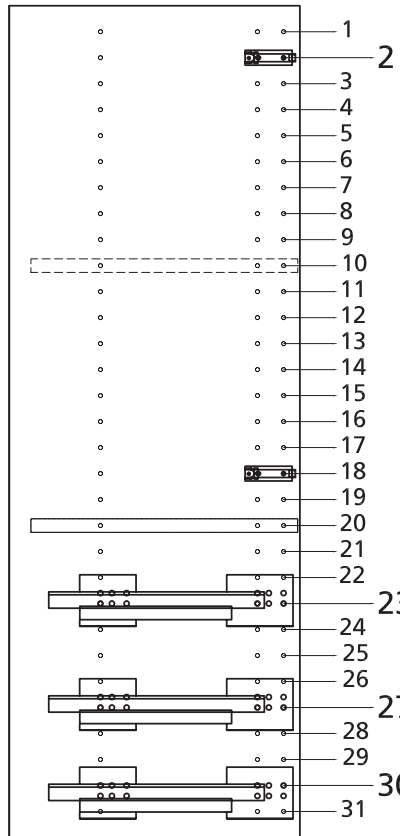
B

7. Installing a drawer kit in a 3-drawer and 1-door cabinet.

For this configuration, use 3 low drawer kits.



Holes Used for Installation



Drawer Kit Type

Drawer Front Bracket

LOW



B

LOW



B

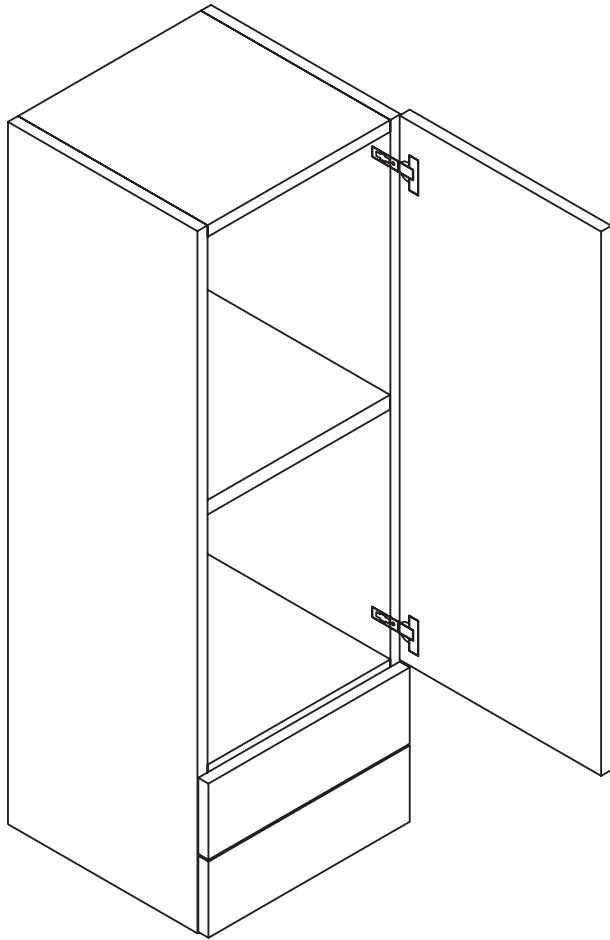
LOW



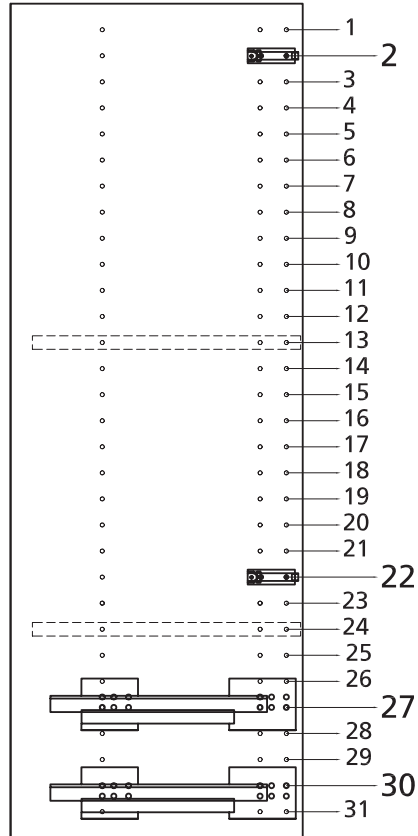
A

8. Installing a drawer kit in a 2-drawer and 1-door cabinet.

For this configuration, use 2 low drawer kits.



Holes Used for Installation



Drawer Kit Type

Drawer Front Bracket

LOW



B

LOW



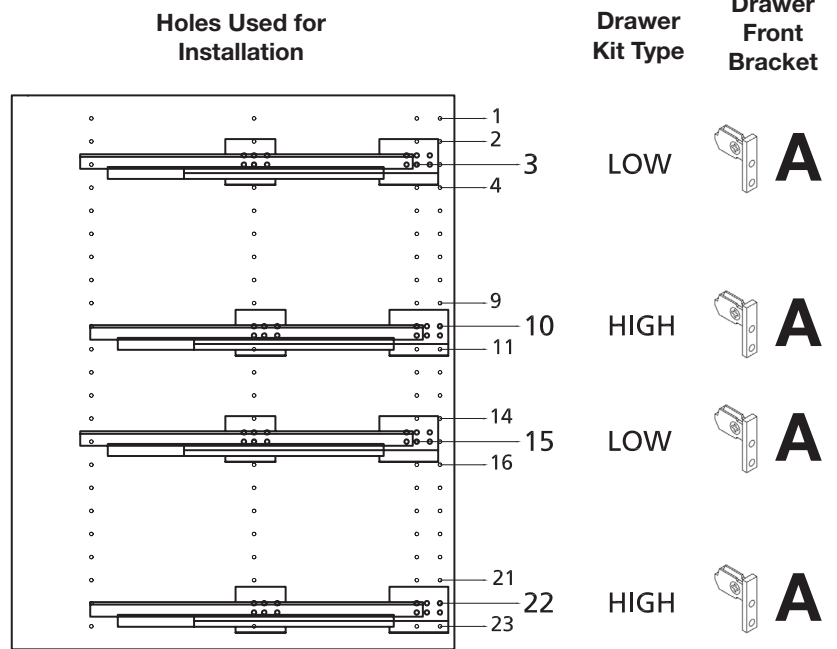
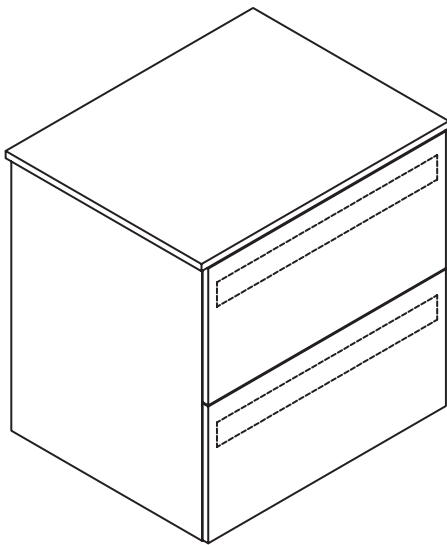
A

For all drawer configurations with inner drawers:

Line up the punch holes in the drawer glides with the specified pre-drilled holes in the cabinet. The glides for the inner drawers are set back behind the first set of punch holes as shown in the illustration. Fasten the glides to the box with the provided screws.

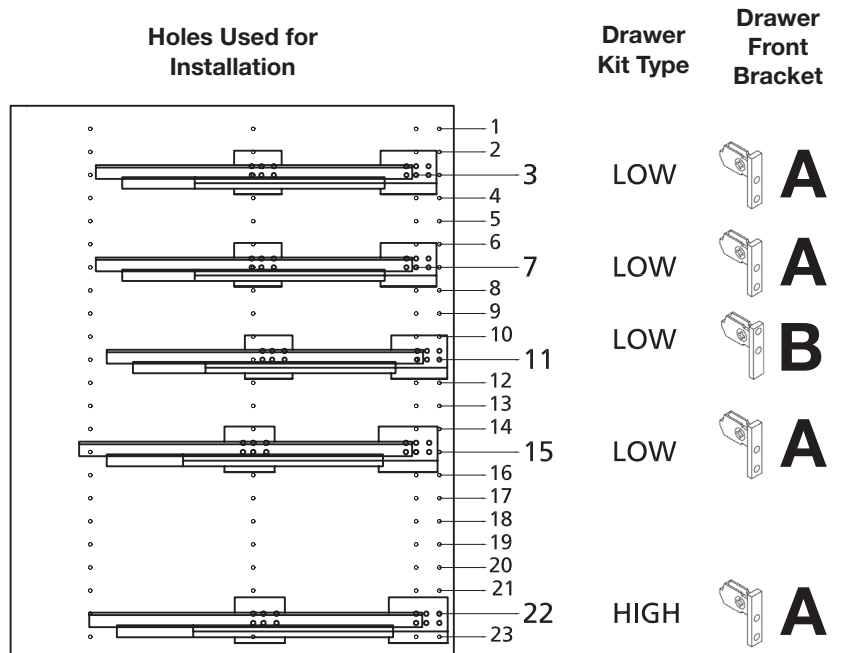
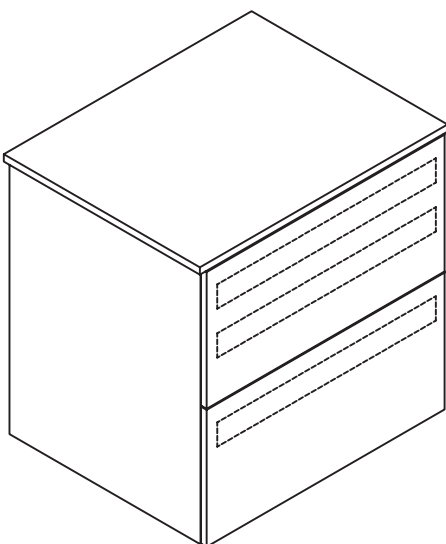
9. Installing drawer kits in a 2-drawer unit with 2 inner drawers.

For this configuration, use 2 high drawer kits and 2 low drawer kits (for the inner drawers). 2 inner drawer fronts will be required to complete the inner drawers.



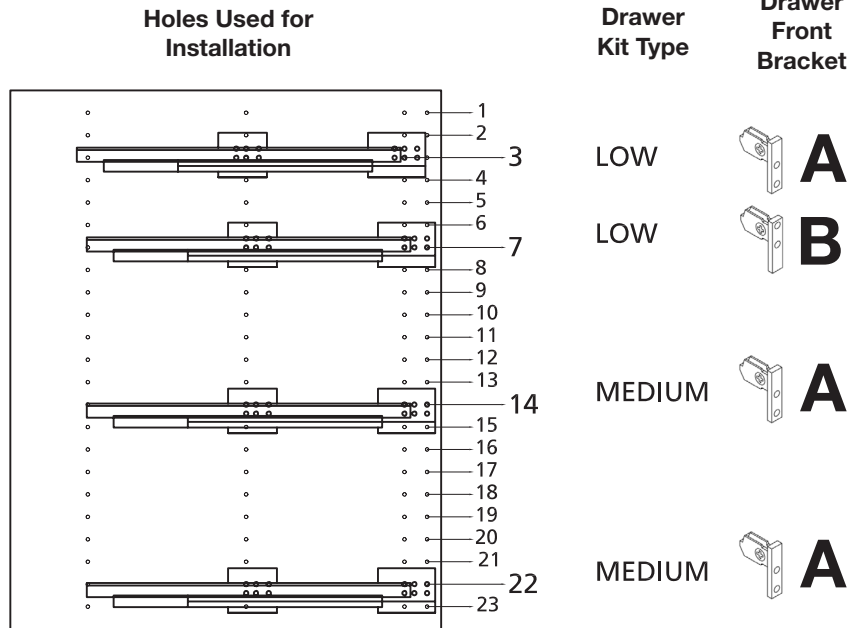
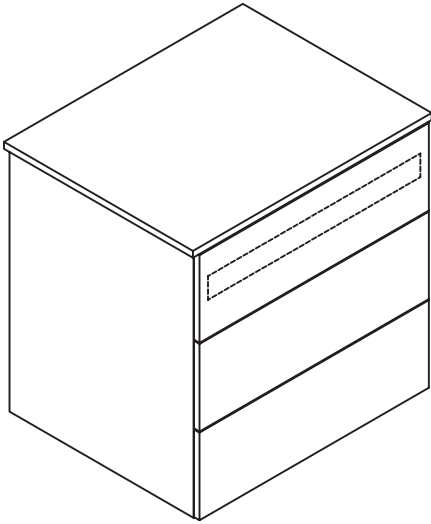
10. Installing drawer kits in a 2-drawer unit with 3 inner drawers.

For this configuration, use 1 high drawer kit and 4 low drawer kits (1 for the top exterior drawer and 3 for the inner drawers). 3 inner drawer fronts will be required to complete the inner drawers.



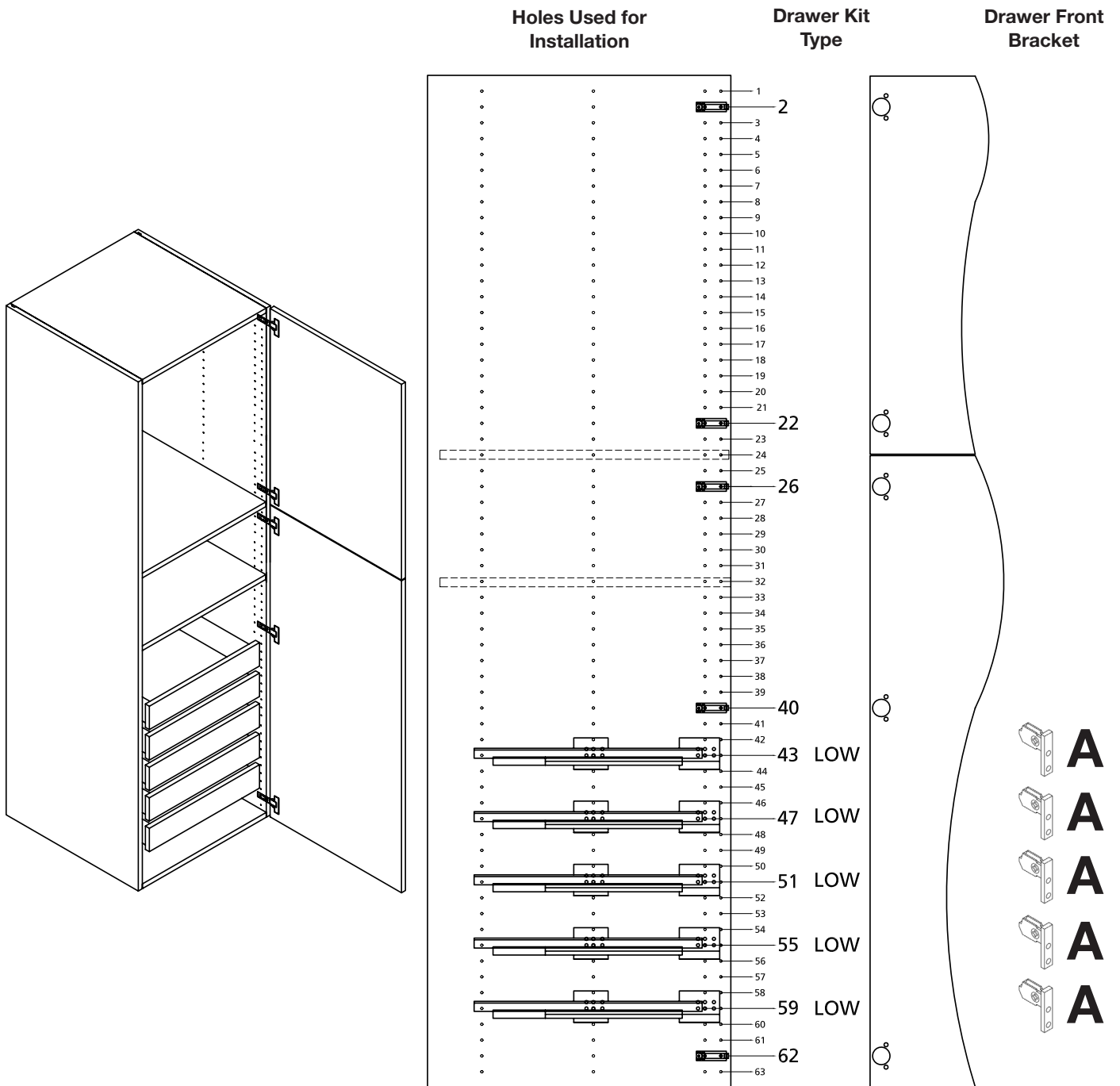
11. Installing drawer kits in a 3-drawer unit with 1 inner drawer.

For this configuration, use 2 medium drawer kits and 2 low drawer kits (1 for the top exterior drawer and 1 for the inner drawer). 1 inner drawer front will be required to complete the inner drawer.



12. Installing drawer kits in a tall cabinet

For this configuration, use 5 low drawer kits. 5 inner drawer fronts will be required to complete the inner drawers.



13. Installing drawer kits in a tall cabinet.

For this configuration, use 4 low drawer kits. 4 inner drawer fronts will be required to complete the inner drawers.

