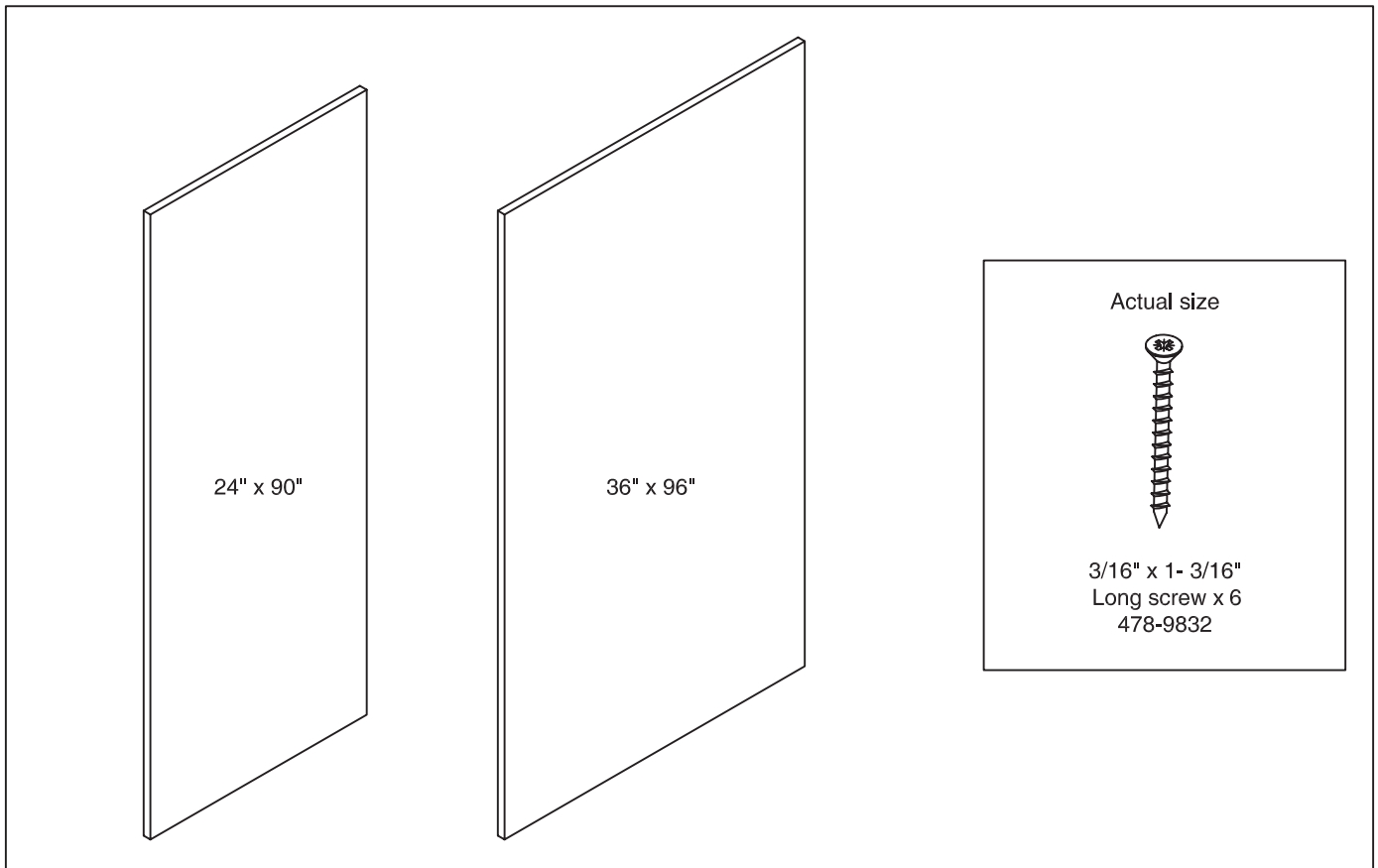
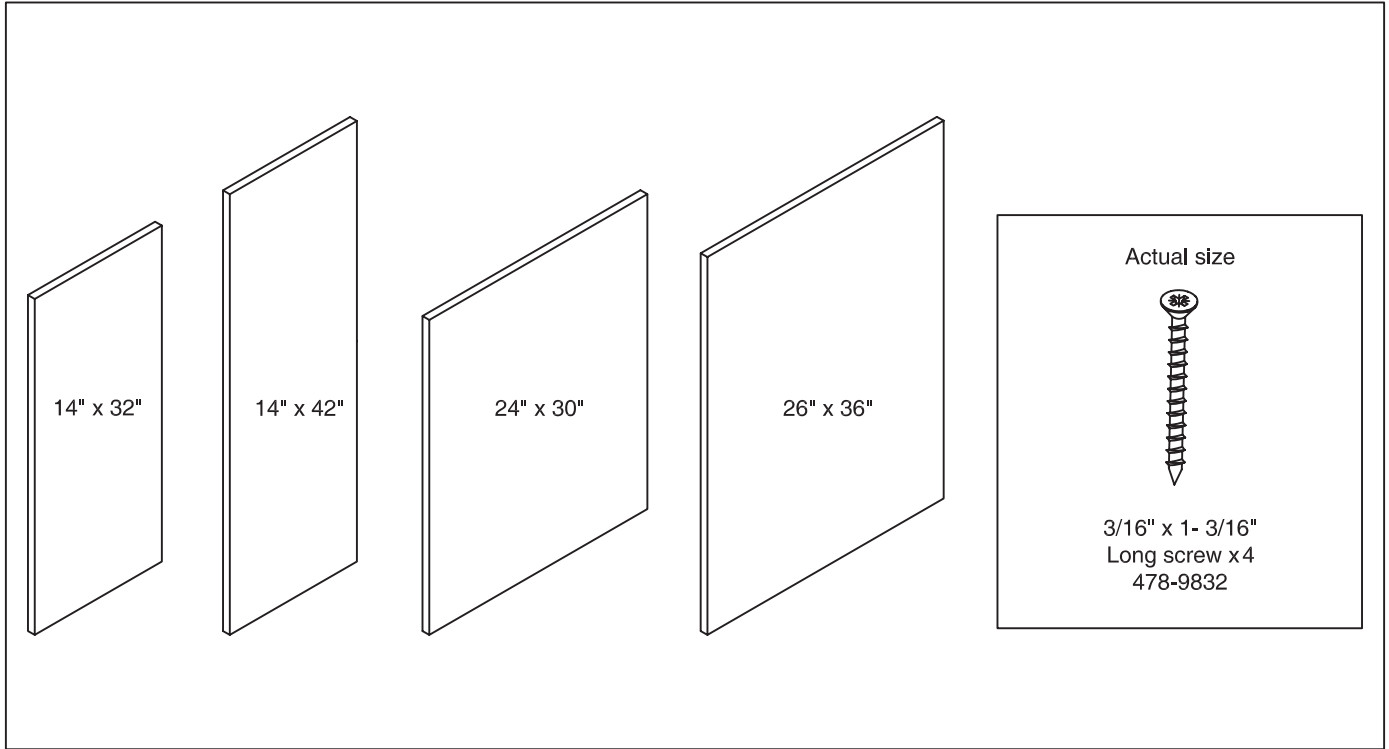


# COVER PANEL

## Instructions for Installing and Cutting Cover Panels



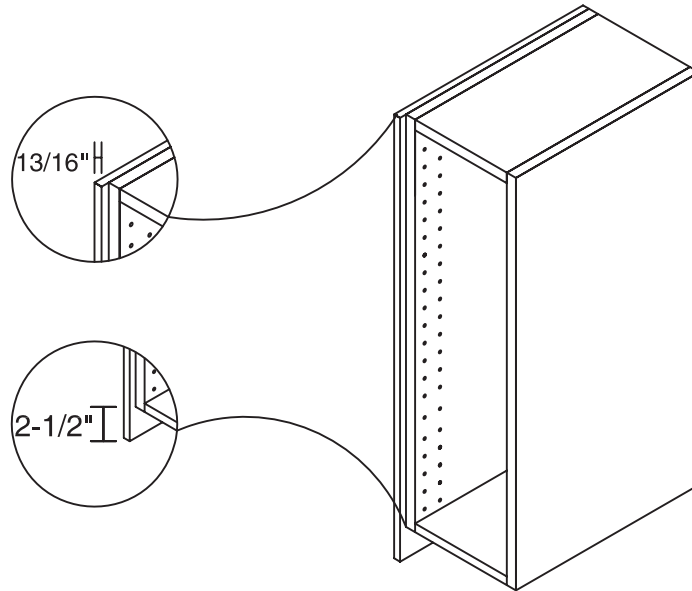
**KLĀRVŪE**<sup>®</sup>  
CABINETY

To find all Klārvūe Cabinetry<sup>®</sup> installation instructions and installation videos, visit [www.klearyuecabinetry.com](http://www.klearyuecabinetry.com).

# COMMON COVER PANEL APPLICATIONS

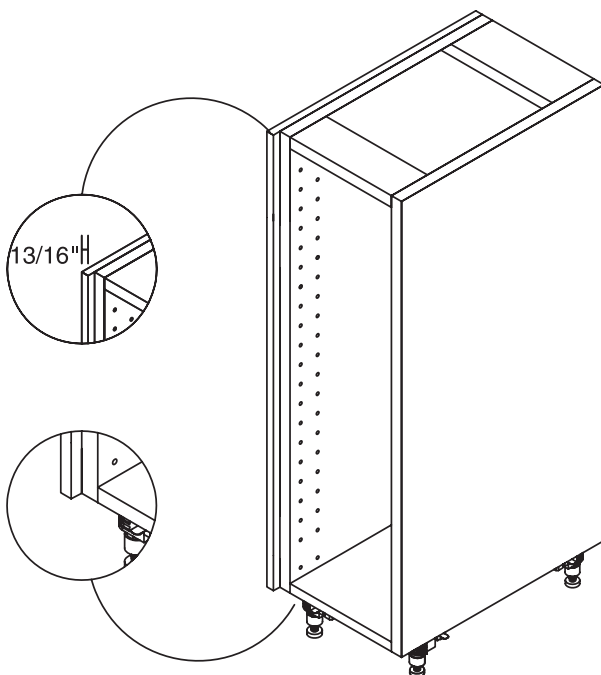
## Wall Cabinets

- When installing a wall cabinet cover panel, the cover panel should extend  $13/16"$  past the front of the box to be flush with the door. The cover panel will also extend  $2-1/2"$  past the bottom of the box to accommodate the wall cabinet bottom moulding.
- If a box length cover panel is desired, the cover panel will need to be cut. See cutting instructions on page 4.

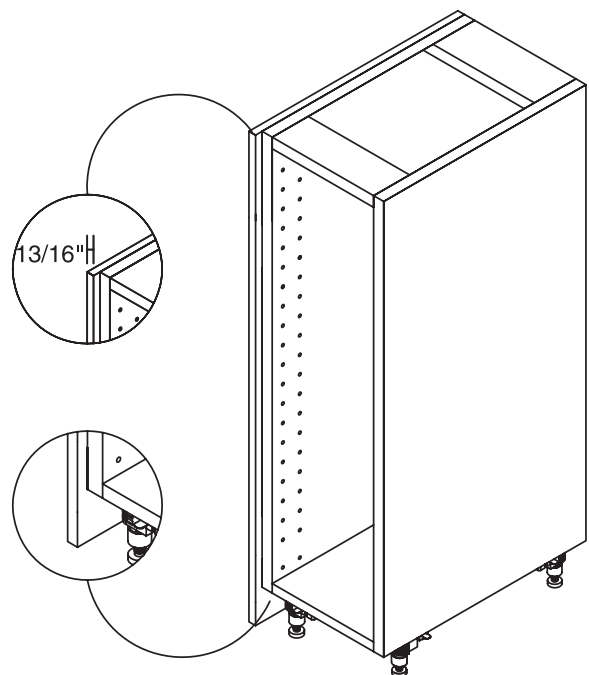


## Base Cabinets

- When installing any base cabinet cover panel, the cover panel should extend  $13/16"$  past the front of the box to be flush with the door.
- A **box length** cover panel will not require cutting.
- A **full length** cover panel will require cutting to be flush with your floor and door. See cutting instructions on page 4.



Box Length

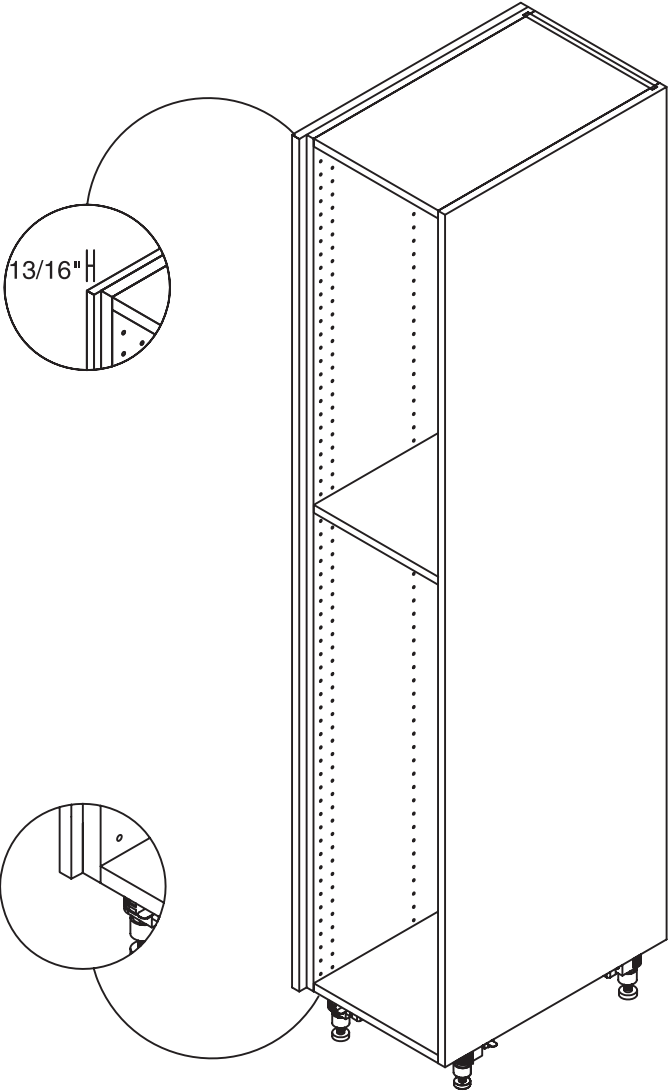


Full Length

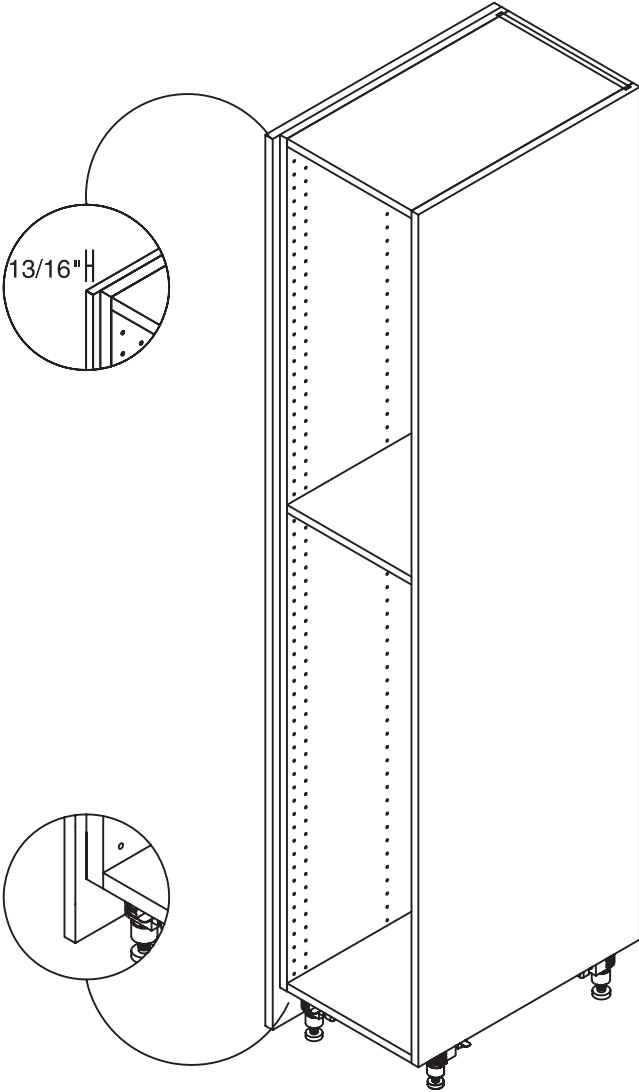
# COMMON COVER PANEL APPLICATIONS

## Tall Cabinets

- When installing any tall cabinet cover panel, the cover panel should extend 13/16" past the front of the box to be flush with the door.
- **Box Length:**
  - 80"H Tall Cabinets – You will need to cut the cover panel down to 80"H.
  - 90"H Tall Cabinets – This cover panel will not require any cutting.
- **Full Length:**
  - 80"H or 90"H Tall Cabinets – You will need to cut the cover panel to be flush with your floor and door. See cutting instructions on page 4.



Box Length

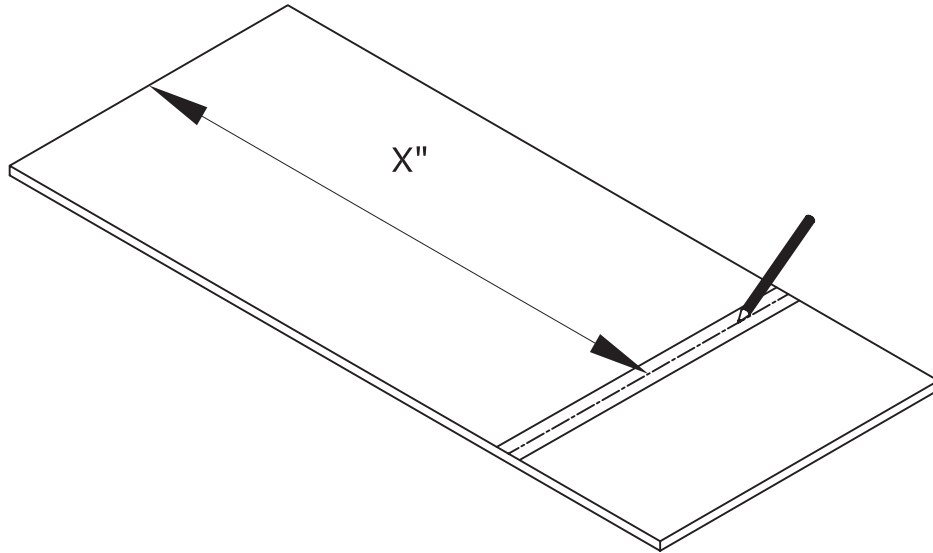


Full Length

# CUTTING A COVER PANEL

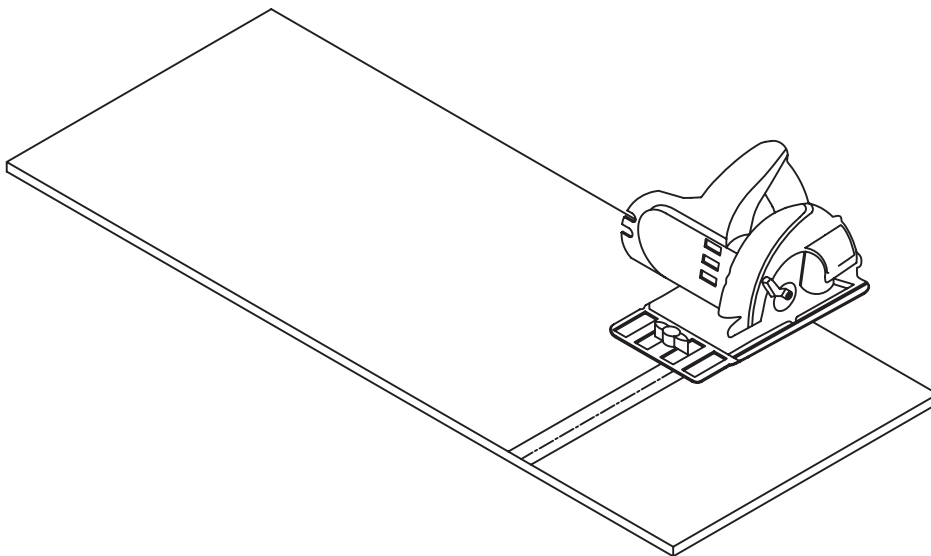
## STEP 1:

- Measure where your cut line will be.
- To get the cleanest cut possible, use painters tape on both sides of the cover panel where the cut is going to be made.
- Once the tape has been placed onto the desired cutting area, mark your cut lines directly onto the painters tape.



## STEP 2:

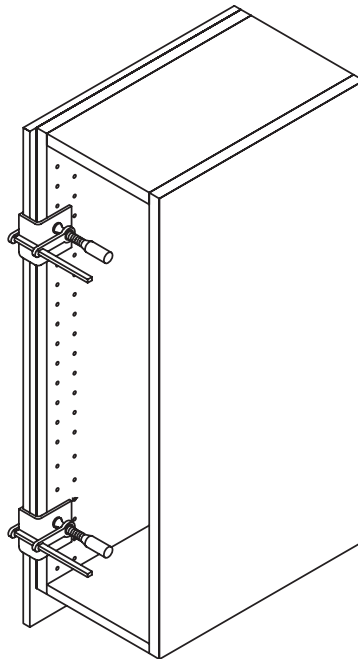
- When cutting, make sure the side of the cover panel that is going to be exposed is facing downward to help prevent chipping.
- Using a high tooth-count blade, make the required cuts on the cover panel.
- Plan your installation to avoid any exposed cuts.



# INSTALLING COVER PANELS TO THE SIDES OF CABINETS

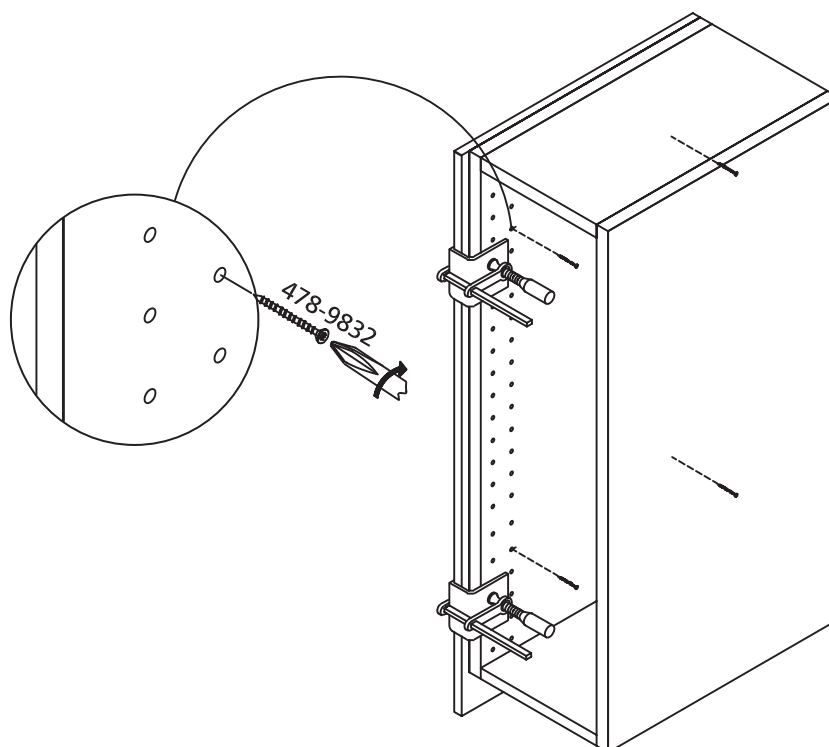
## STEP 1:

- Using a clamp, attach the cover panel to the exposed side of the cabinet box.
- Line up the cover panel flush with the top and back of the cabinet box.
- All cover panels will extend 13/16" past the front of the box to be flush with the door.



## STEP 2:

- From inside of the cabinet box, use the provided long screws (SKU 478-9832) to secure the cover panel to the cabinet box through the pre-drilled holes. Make sure to space out the screws evenly for a secure hold.
- Be careful not to countersink the screws into the cabinet box as they could pierce through the cover panel.
- Remove clamps once the cover panel is completely secured.



**Klëarvüë® color matched caulk is available to fill small gaps between cover panels or uneven walls.  
Visit [Menards.com](https://www.menards.com) to order – search “Klearvue caulk”.**