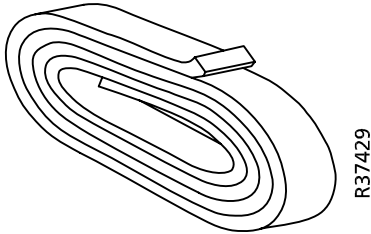
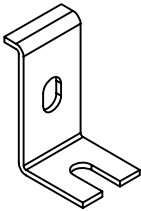


INCLUDES:



R37429

X 2



R37412

X 8



R30331

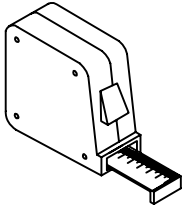
X 8



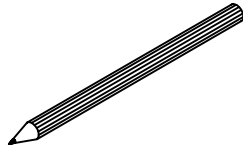
R30898

X 16

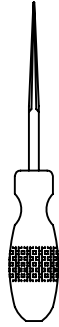
TOOLS NEEDED:



Tape Measure



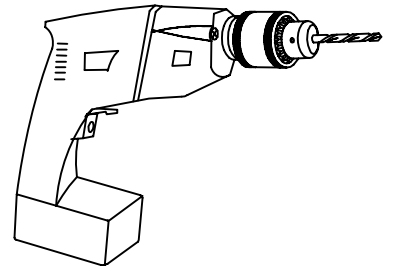
Pencil



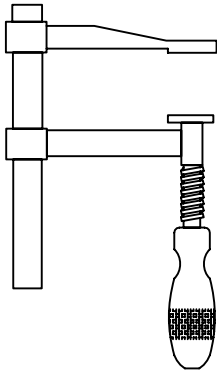
Center Punch



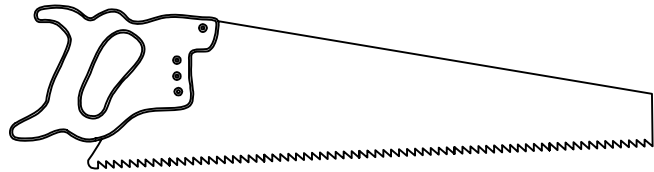
Phillips Head
Screwdriver



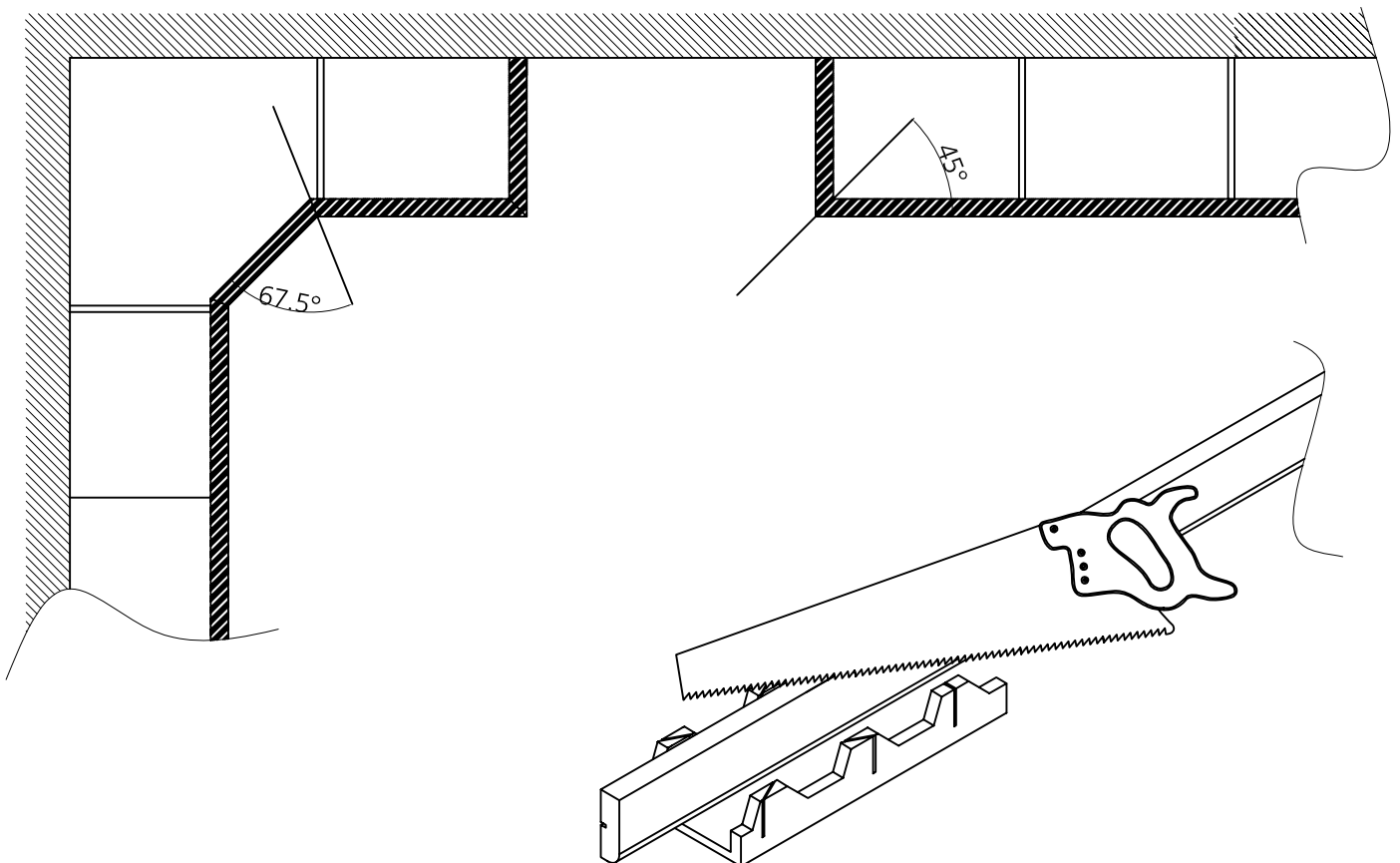
Drill



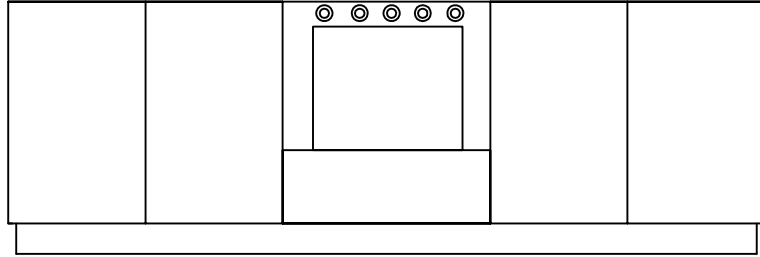
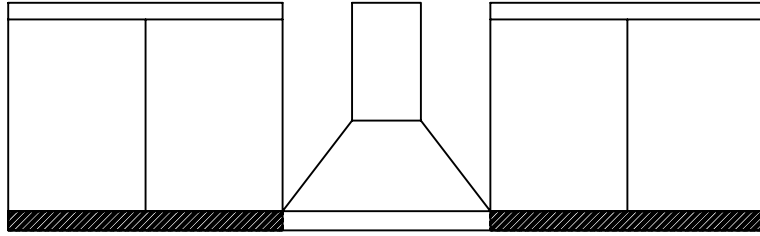
Clamp



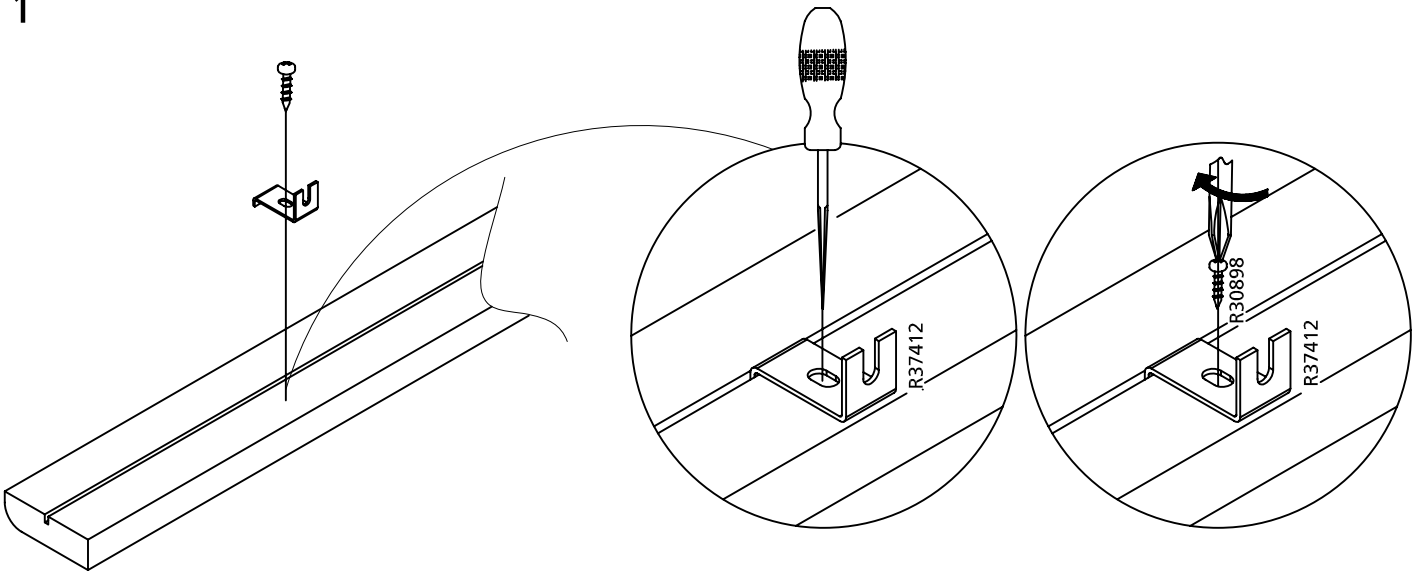
Hand Saw



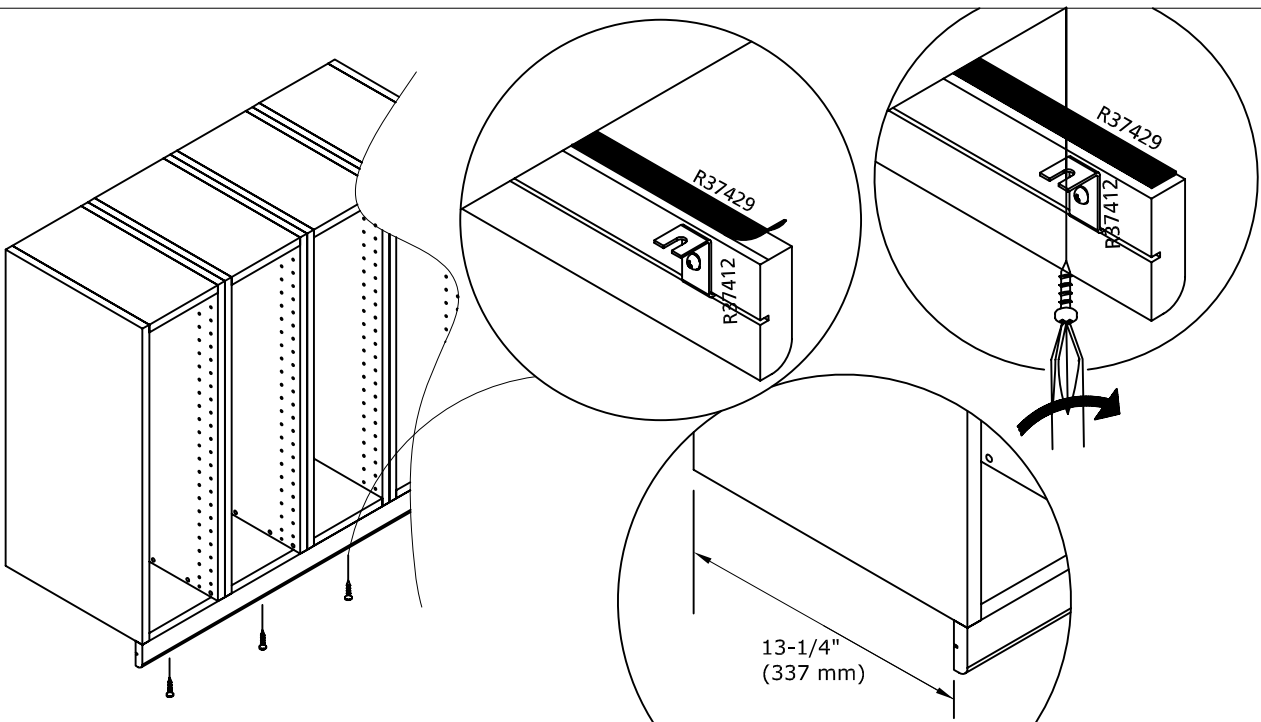
BOTTOM APPLICATION:



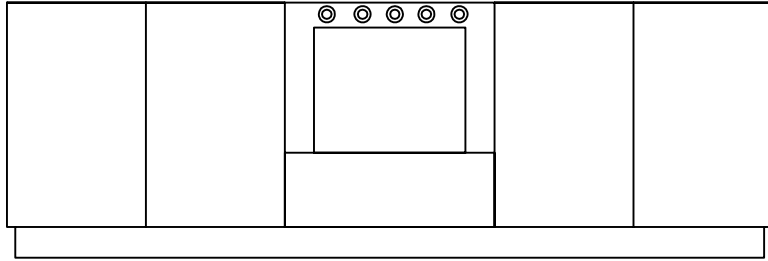
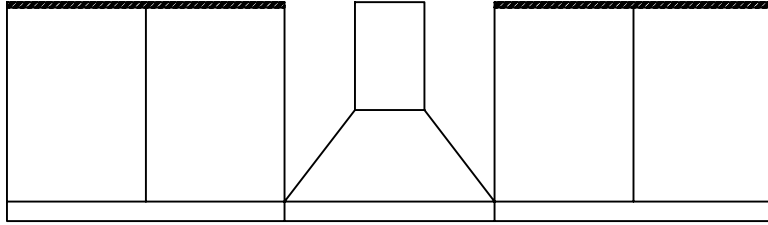
1



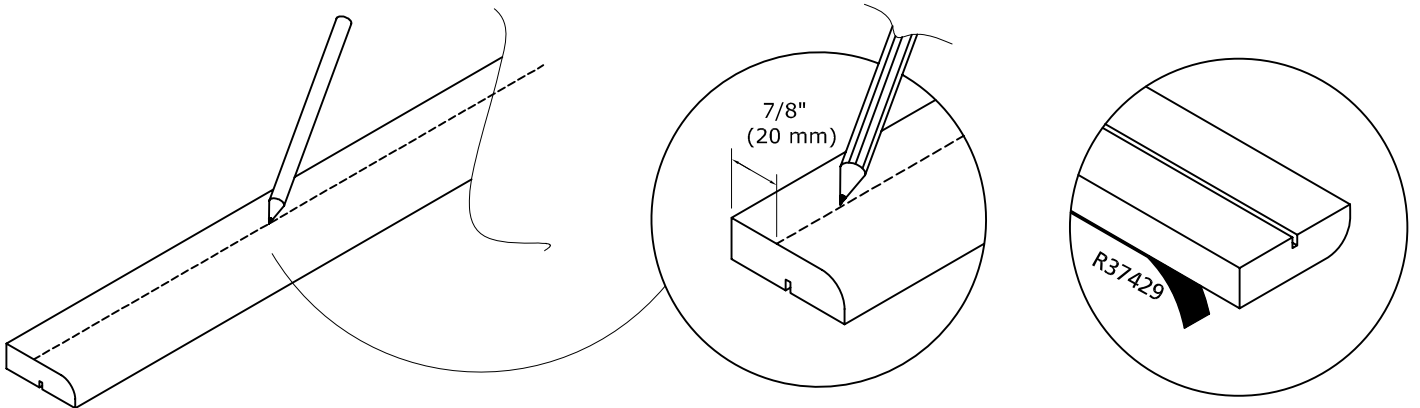
2



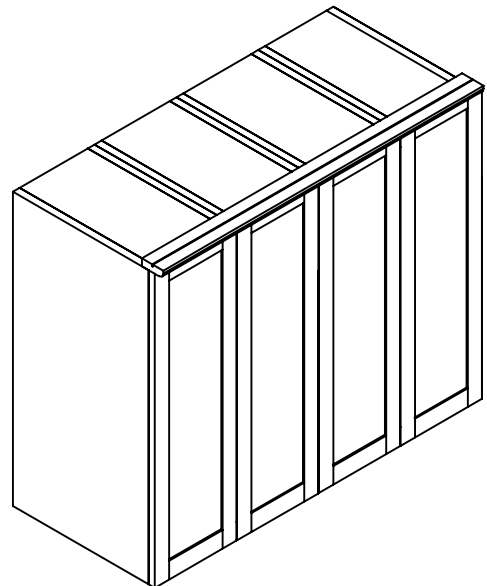
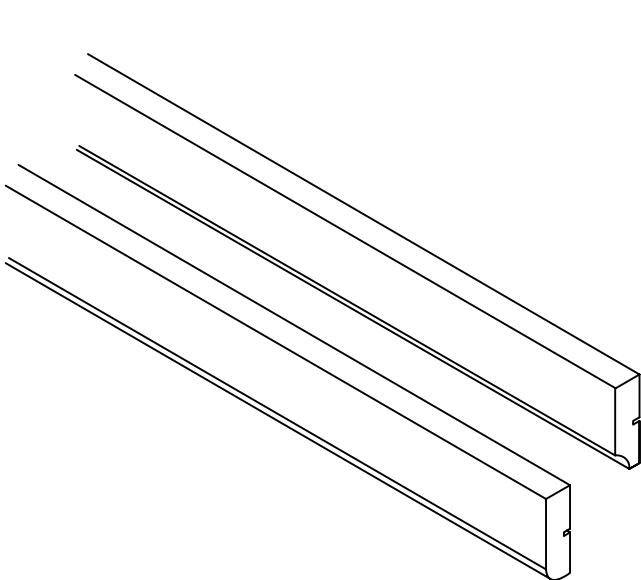
TOP APPLICATION:

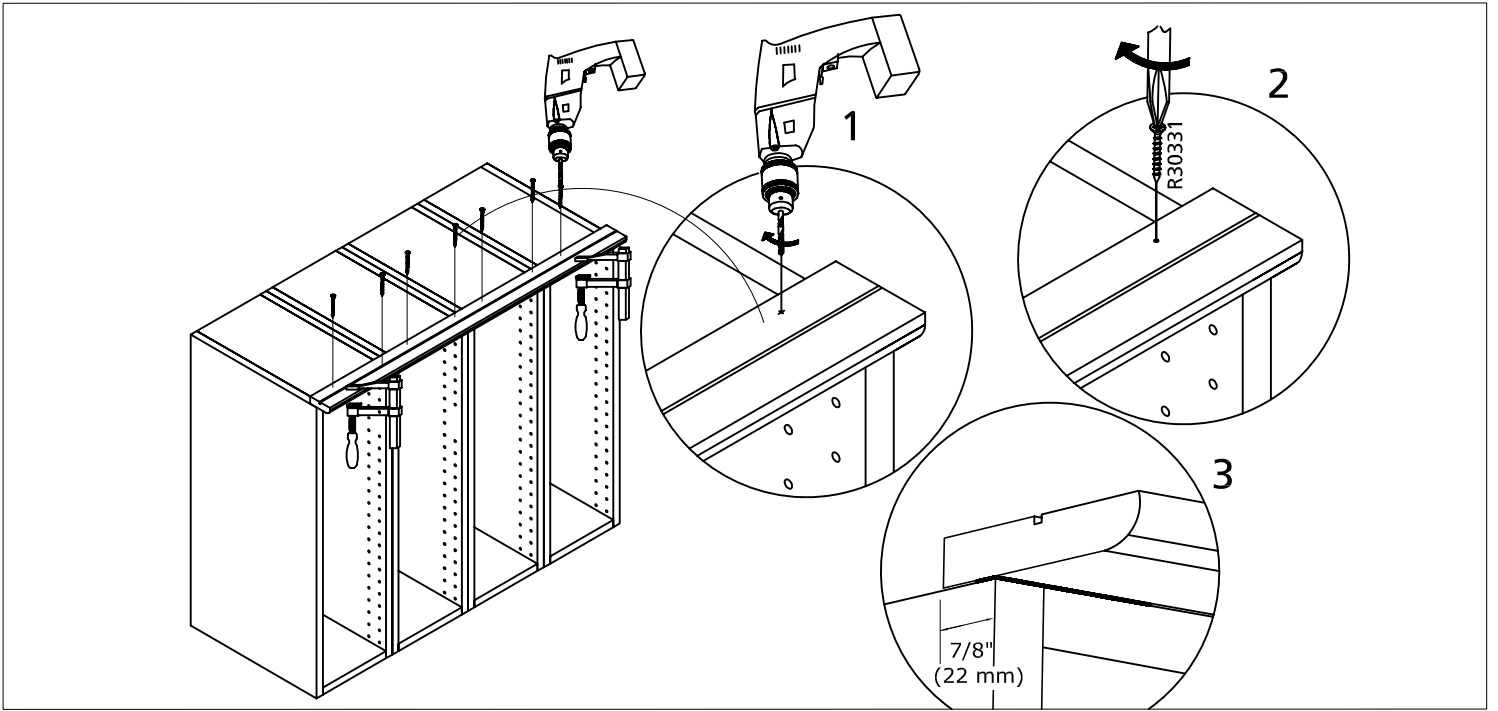


1



INSTALLATION FOR FOLLOWING PROFILES:





INSTALLATION FOR FOLLOWING PROFILES:

